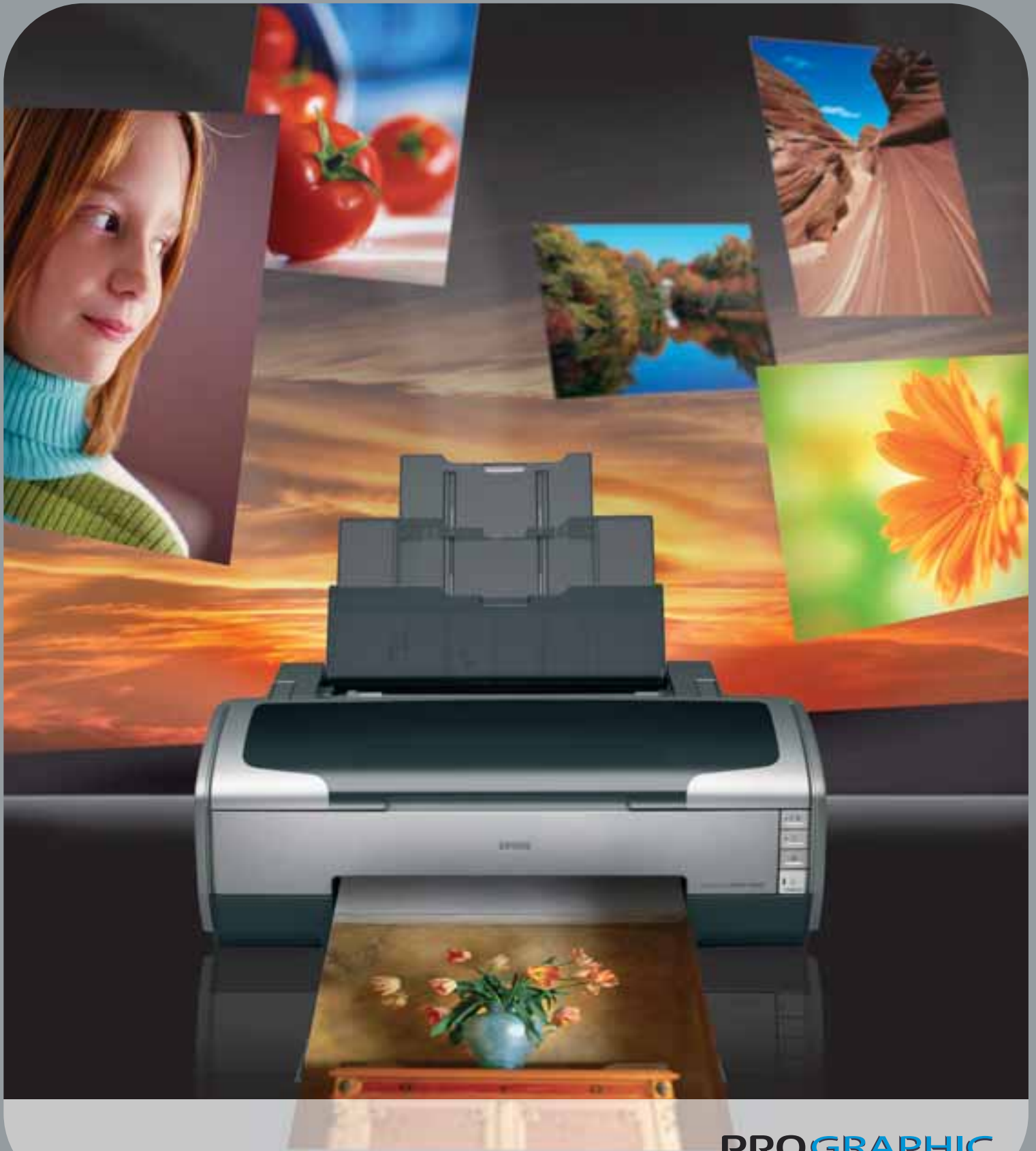


INKJET PRINTER

# EPSON STYLUS™ PHOTO R1800

**EPSON**  
EXCEED YOUR VISION



**PROGRAPHIC**

# SPECIFICATIONS

## PRINTER TYPE

PRINTING METHOD On-demand ink jet (piezoelectric)  
NOZZLE CONFIGURATION 180 nozzles 8 colors (Photo Black, Matte Black, Cyan, Magenta, Red, Blue, Yellow and Gloss Optimizer)

## PRINT QUALITY

MAXIMUM RESOLUTION 5760 optimised dpi with EPSON Variable Sized Droplet Technology  
MAXIMUM INK DROPLET SIZE 1.5pl

## PRINT SPEED<sup>1</sup>

71 seconds (Photo Bike / Photo 1440 Mode / 8"x10" / Plain Paper)

## PAPER HANDLING

Automatic Sheet Feeder  
Roll Paper Path

## MEDIA SUPPORT

PAPER SIZE A3+, A3, A4, A5, A6, Letter, Legal, B5, 4"x6"  
WEIGHT (CUT SHEET) From 64 to 90g/m<sup>2</sup> for plain paper (Premium Glossy Photo Paper = 255g/m<sup>2</sup>)  
THICKNESS (ASF) 0.08mm - 0.27mm  
THICKNESS (Manual - Roll) 0.29mm - 0.48mm  
MAX. PRINTABLE AREA (CUT SHEET) 329mm width x 483mm length\*  
PRINT MARGIN 0mm top, left, right and bottom\*  
CD/DVD Yes

## RAM

64 KB

## LANGUAGES

ESC/P Raster

## INTERFACES (STANDARD)

IEEE 1394 / USB 2.0

## ENVIRONMENTAL CONDITIONS

TEMPERATURE 10 ~ 35°C (Operating)  
HUMIDITY 20 ~ 80% RH (Operating)

## ELECTRICAL SPECIFICATIONS

RATED VOLTAGE 220V ~ 240V  
RATED FREQUENCY 50 ~ 60Hz (Operating)  
POWER CONSUMPTION Approx. 18 W (Operating)

## DIMENSIONS / WEIGHT

DIMENSIONS 615mmW x 314mmD x 223mmH  
WEIGHT 11.7kg (Main unit only)

## STANDARD PRINTER DRIVER (OS)

Macintosh® OS 9.1 or later, Macintosh® OSX 10.2 or later,  
Microsoft Windows® 98/ME/2000/XP

## ENVIRONMENT

Energy Star

## WARRANTY

One year

## RECOMMENDED PC ENVIRONMENT

MICROSOFT WINDOWS® 98/ME/2000/XP CPU: Pentium 2.0GHz or higher processor, Memory: 256MB RAM or more, HDD: 500MB or more free disk space for Win 98 or ME, 1GB or more free disk space for Win 2000 or XP  
MACINTOSH® CPU: PowerPC G4 or more, System Software: Mac® OS 9.1 or later, Mac® OS X 10.2 or later, Memory: 256MB RAM or more, HDD: 1GB or more free disk space

## STANDARD ACCESSORIES\*

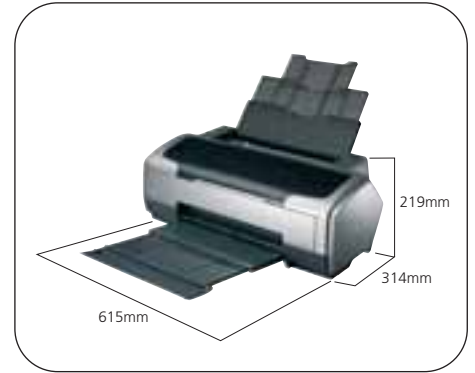
Roll Paper Holder x 1 set, Ink Cartridge (one each PBK, MK, Y, M, C, R, B, GO) x 1 set, Power Cord x 1, Rear Sheet Guide x 1, Multi-sheet Matte Support x 1, Printer Software & Online Guide CD-ROM, CD-R Print Position Check Sheet x 1, 8cm CD-R Adapter x 1, CD-R Tray x 1

## SOFTWARE

EPSON Creativity Suite, EPSON RAW Print, EPSON Easy Photo Print, EPSON File Manager, EPSON Darkroom Print, EPSON Web to Page, Adobe Photoshop Elements 3.0, EPSON Colour Management system included in Windows® and Macintosh® drivers

\*Via custom setting in printer driver. Otherwise 3mm top, left, right, bottom;  
Thick media: 3mm left/right, 20mm top/bottom (Thick media); roll paper 0mm left/right  
(very top margin 20mm is required.)

\*May vary from country to country  
Please check with your local dealer for more information.



## Print Speed Data Printout Patterns

The thumbnail image below show the printout patterns used to determine print speed specifications.



Photo A4 (Photo courtesy of ISO/JIS-SCID. 289/361mm Reprinted by permission)  
Times shown are estimates and do not include data transfer times.  
Data transfer times will vary according to computer system configuration, data content, and the application from which you are printing.

<sup>1</sup> Print Speeds Note:  
8 x 10" of 'Bike' image used for print speeds.  
Print times will vary depending on computer configuration, print settings, application, coverage, and page complexity.

## SUPPLIES -

### EPSON UltraChrome Hi-Gloss Ink

T0540 Gloss Optimizer  
T0541 Photo Black  
T0542 Cyan  
T0543 Magenta  
T0544 Yellow  
T0547 Red  
T0548 Matte Black  
T0549 Blue



Dealer's Stamp

**EPSON**  
EXCEED YOUR VISION

For enquiries, contact your nearest EPSON sales representatives:

INDIA - (91) 80-30515000, Toll-free Number - 1600 440011  
INDONESIA - (62) 21-572-3161 MALAYSIA - (60) 3-562-88288 PHILIPPINES - (632) 813-6567  
SINGAPORE - (65) 6337-7911, (65) 6586-3111 THAILAND / INDOCHINA - (662) 670-0680

[www.epson.com.sg](http://www.epson.com.sg)  
[www.epsonphoto.com.sg](http://www.epsonphoto.com.sg)

EPSON is the registered trademark of SEIKO EPSON CORPORATION.  
All other product names and other company names used herein are for identification purpose only and may be the trademarks or registered trademarks of their respective owners.  
EPSON disclaims any and all rights in those marks.  
Scan/Print samples shown herein are simulations.  
Specifications are subject to change without notice.