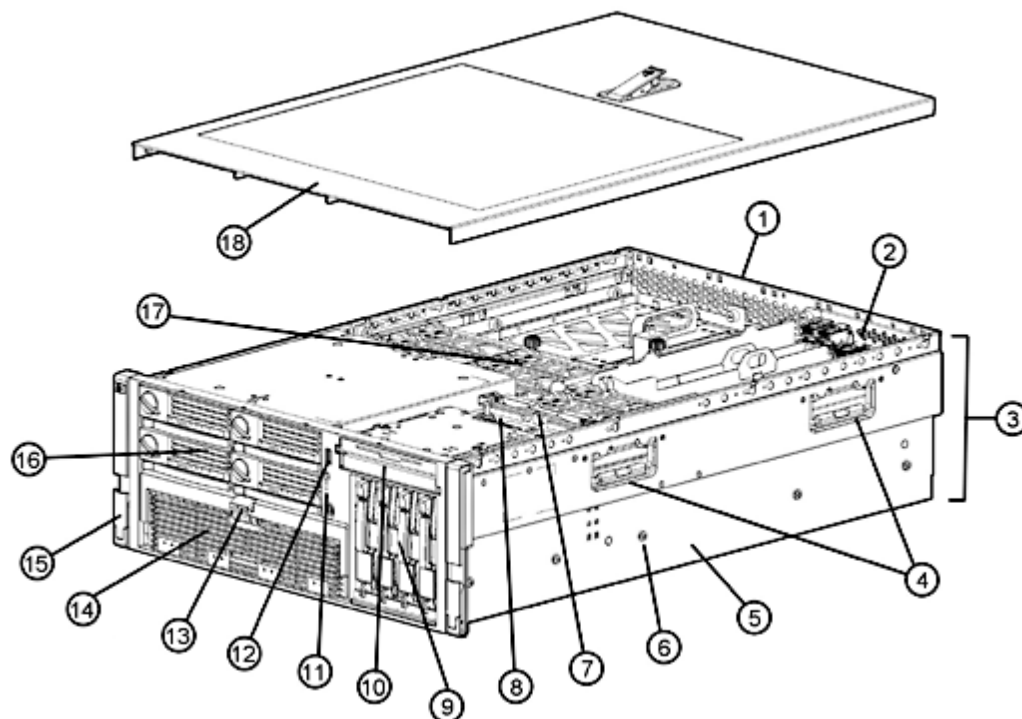


### Overview



#### SCSI model shown

1. Dual Hot Plug Redundant Power Supplies (one standard with 1P Models, requires optional RPS for redundancy)
2. Up to Seven I/O Slots: 5 Standard 64-bit PCI-X (Three 133MHz and Two 100MHz). Optional Mezzanine adds Two Hot Plug 64-bit/133MHz PCI-X or two X4 PCI Express, or one X8 PCI Express
3. 4U (7" Height) Rack Form Factor
4. Server Lifting Handles
5. SCSI Models ship with Smart Array 6i Ultra320 array controller with optional 128MB Battery Backed Write Cache (BBWC ships standard with some models)
6. Universal Tool-less "Snap In" Sliding Rail Solution
7. Wide Ultra3/U320 Duplex Drive Cage (can be Simplex configured)
8. QuickFind Diagnostic Display
9. Support for up to four Ultra320 SCSI hot plug hard drives or two hot plug hard drives and one DAT 40 or DAT 72 hot plug tape drive  
Serial Attached SCSI(SAS) Model has support for up to 8 Small Form-Factor (SFF) SAS or Serial ATA (SATA) drives
10. Support for up to Two Slimline Drives (Ejectable, DVD Drive standard, Floppy Drive optional with all models)
11. Front Panel LED Display (internal and external health, Two Network Port Status, Unit ID light) and Power Button
12. One front accessible USB 2.0 port, Two rear accessible USB 2.0 ports (all bootable)
13. Front accessible Processor drawer (allows access to Processors and Processor Power Modules)
14. Support for up to four Dual-core or Single-core 64-bit Intel® Xeon™ MP Processors with 667 MHz FSB and up to 8MB L3 cache
15. Quick release levers for fast server access
16. Front accessible Hot Plug RAID Memory (One Memory Board ships Standard with all models)
17. Six Hot Plug Redundant Fans Standard on all models
18. Quick Removal Access Panel

### Overview

### What's New

- The DL580 G3 now offers dual core processors including the following:
  - 64-bit Dual-Core Intel® Xeon™ Processor 7040 (3.00 GHz, 2x2M L2 Cache)
  - 64-bit Dual-Core Intel® Xeon™ Processor 7020 (2.66 GHz, 2x1M L2 Cache)
- The DL580 G3 now supports up to 64 GB of memory with the new 8 GB PC2-3200R Memory Kit.
- Optional Serial Attached SCSI (SAS) /Serial ATA Drive Cage upgrade kit and controller for all models

### At A Glance

The world's best selling 4-way server just got even better! The HP ProLiant DL580 G3 delivers on its history of design excellence with Enterprise-class uptime and manageability, proven Intel Xeon MP performance, and unsurpassed flexibility and serviceability.

Introducing the new HP ProLiant DL580 G3, now available with the latest 64-bit Intel® Xeon™ MP processors with Hyper-threading, Hot-Plug RAID memory and a totally redesigned flexible and serviceable chassis.

New HP ProLiant DL580 G3 models:

- DL580R03 X7040 3.00-2X2MB/667 DC, 2GB SVR
- DL580R03 X7020 2.66/2X1MB/667 DC 1GB SVR
- DL580R03 X3.00-8MB/667, 2GB SAS SVR
- DL580R03 X3.33-8MB/667, 2GB SVR
- DL580R03 X2.83-4MB/667, 1GB SVR
- DL580R03 X3.66-1MB/667, 1GB SVR
- DL580R03 X3.16-1MB/667, 1GB SVR

New HP ProLiant DL580 G3 features:

- Supports up to four Dual-Core or Single-core 64-bit Intel® Xeon™ MP processors and HT Technology, Dual Independent 667MHz Front Side Buses and up to 8MB of L3 cache
- Industry Standard Intel E8500 Chipset
- Front accessible Hot Plug RAID Memory (Configurable for Standard, Mirrored or RAID) provides maximum up-time, flexibility and serviceability
- Front accessible Processor and Processor Power Modules allow server to stay safely secured in the rack during servicing
- HP Power Regulator for ProLiant delivering server level, policy based power management with industry leading energy efficiency and savings on system power and cooling costs
- Integrated Lights-Out industry leading remote management with new support for two-factor authentication, schema-free Microsoft Active Directory integration, Power Regulator p-state reporting, USB key virtual media and VLAN on the shared network port
- Rear accessible Hot Plug Redundant Power Supplies (RPS optional on some models)
- Up to Seven I/O Slots: 5 Standard 64-bit PCI-X (Three 133MHz and Two 100MHz). Optional Mezzanine adds Two Hot Plug 64-bit/133MHz PCI-X, Two X4 PCI Express, or One X8 PCI Express
- PC2-3200R 400MHz DDR2 Memory can be configured in Hot Plug Mirrored, Hot Plug RAID, Online Spare or Advanced ECC modes
- SCSI Models include integrated Ultra320 Smart Array 6i Controller with 64MB RAM and optional 128MB Battery-Backed Write Cache (BBWC) Enabler option kit
- SAS Models include Smart Array P600 Controller and 8-bay SAS Cage Option
- Embedded NC7782 Dual Port PCI-X 10/100/1000 Gigabit NIC
- USB 2.0 up front, 2 ports rear (configurable for boot capability)
- Quick Deploy Rail System includes sliding universal rails, an ambidextrous cable management arm and quick release levers for fast and easy serviceability and in-rack tool-less access to major components
- New iLO Shared Network Port enables access to the iLO management processor through one of the embedded system NIC's (Can be disabled). This allows access to iLO without requiring a separate, dedicated network connection for iLO.

### Overview

- Slimline DVD Drive standard, Floppy Drive optional on all models (ejectable)

HP ProLiant DL580 G3 features, that were also included in the HP ProLiant DL580 G2:

- Integrated Lights-Out (iLO) Standard Management on system board
- Simplex or Duplex configurable Wide Ultra3/U320 Duplex Drive Cage
- Support for up to four Ultra320 SCSI hot plug hard drives or three hot plug hard drives and one DAT hot plug tape drive
- Hot Plug Fans with full redundancy
- Tool-less access to all system components for easy in rack serviceability
- Automatic Server Recovery (ASR), ROM Based Setup Utility (RBSU), HP Systems Insight Manager, Status LED's including system health and UID, and SmartStart
- Internal hot plug hard drive capacity 1.2TB standard (4 x 300GB U320)
- Protected by HP Services and a worldwide network of resellers and service providers. Three-year Next Business Day, on-site limited global warranty. Certain restrictions and exclusions apply. Pre-Failure Notification on processors, memory, and SCSI hard drives. SATA hard drives have a one-year warranty.

### Standard Features

**Processor**  
One or more of the following depending on Model

**NOTE:** A HP ProLiant DL580 G3 Dual-Core Processor Blank Kit is required if upgrading a DL580G3 system with less than 4 Dual-Core processors.

64-bit Dual-Core Intel® Xeon™ Processor 7040 (3.00 GHz, 2x2M L2 Cache, 667MHz FSB)

64-bit Dual-Core Intel® Xeon™ Processor 7020 (2.66 GHz, 2x1M L2 Cache, 667MHz FSB)

64-bit Intel® Xeon™ Processor MP 3.33 GHz, 8MB L3 cache, 667MHz FSB

64-bit Intel® Xeon™ Processor MP 3.00 GHz, 8MB L3 cache, 667MHz FSB

64-bit Intel® Xeon™ Processor MP 2.83 GHz, 4MB L3 cache, 667MHz FSB

64-bit Intel® Xeon™ Processor MP 3.66 GHz, 1MB L2 cache, 667MHz FSB

64-bit Intel® Xeon™ Processor MP 3.16 GHz, 1MB L2 cache, 667MHz FSB

**Upgradeability**

Utilize the HP ProLiant DL580 G3 to enable transitions to new industry technologies such as Dual-core processing, Serial-attached SCSI and SATA drives, and PCI Express

All U320 Models upgradeable to SAS/SATA

**Chipset**

Industry Standard Intel E8500 Chipset

**NOTE:** For more information regarding Intel chipsets, please see the following URL:  
<http://www.intel.com/products/server/chipsets/>

**Memory**  
One of the following depending on Model

Type PC2-3200R 400MHz DDR2

Standard 1024 MB  
(1P base models)

Standard 2048 MB  
(2P base models)

Maximum 64 GB

**NOTE:** 64 GB achieved with use of four memory cartridges and sixteen 4 GB PC2-3200 Memory Modules. The HP ProLiant DL580 G3 will accept both single rank and dual rank DIMMs in all sockets.

**Network Controller**

Embedded NC7782 Dual Port PCI-X 10/100/1000T Gigabit network adapter

Expansion Slots with No Mezzanine Option	Bus speed	Bus number	Hot Plug	PCI Voltage	Notes
1	N/A	N/A	N/A	N/A	Standard
2	N/A	N/A	N/A	N/A	Standard
3	64-bit / 133 MHz PCI-X	12	No	3.3 Volt	Standard
4	64-bit / 133 MHz PCI-X	15	No	3.3 Volt	Standard
5	64-bit / 133 MHz PCI-X	19	No	3.3 Volt	Standard
6	64-bit / 100 MHz PCI-X	22	No	3.3 Volt	Standard
7	64-bit / 100 MHz PCI-X	22	No	3.3 Volt	Standard

### Standard Features

Expansion Slots with PCI-X Mezzanine Option	Bus speed	Bus number	Hot Plug	PCI Voltage	Notes
1	64-bit / 133 MHz PCI-X	6	Yes	3.3 Volt	Optional
2	64-bit / 133 MHz PCI-X	9	Yes	3.3 Volt	Optional
3	64-bit / 133 MHz PCI-X	13	No	3.3 Volt	Standard
4	64-bit / 133 MHz PCI-X	16	No	3.3 Volt	Standard
5	64-bit / 133 MHz PCI-X	20	No	3.3 Volt	Standard
6	64-bit / 100 MHz PCI-X	23	No	3.3 Volt	Standard
7	64-bit / 100 MHz PCI-X	23	No	3.3 Volt	Standard
Expansion Slots with PCI Express X4 Mezzanine Option	Bus speed	Bus number	Hot Plug	PCI Voltage	Notes
1	PCI Express X4	5	No	N/A	Optional
2	PCI Express X4	8	No	N/A	Optional
3	64-bit / 133 MHz PCI-X	12	No	3.3 Volt	Standard
4	64-bit / 133 MHz PCI-X	15	No	3.3 Volt	Standard
5	64-bit / 133 MHz PCI-X	19	No	3.3 Volt	Standard
6	64-bit / 100 MHz PCI-X	22	No	3.3 Volt	Standard
7	64-bit / 100 MHz PCI-X	22	No	3.3 Volt	Standard
Expansion Slots with PCI Express X8 Mezzanine Option	Bus speed	Bus number	Hot Plug	PCI Voltage	Notes
1	PCI Express X8	5	No	N/A	Optional
2	N/A	N/A	N/A	N/A	Standard
3	64-bit / 133 MHz PCI-X	12	No	3.3 Volt	Standard
4	64-bit / 133 MHz PCI-X	15	No	3.3 Volt	Standard
5	64-bit / 133 MHz PCI-X	19	No	3.3 Volt	Standard
6	64-bit / 100 MHz PCI-X	22	No	3.3 Volt	Standard
7	64-bit / 100 MHz PCI-X	22	No	3.3 Volt	Standard

### Standard Features

<b>Manageability</b>	Integrated Lights-Out (iLO) Standard Management (ASIC on the System Board)		
<b>Storage Controllers</b>	Smart Array 6i Controller (integrated on system board) Smart Array P600 Controller (in a slot) and 8-Bay SAS Drive Cage (SAS models only)		
<b>Storage Data Protection</b>	<p>The Battery-Backed Write Cache (BBWC) Enabler for the embedded Smart Array 6i Controller protects up to 128-MB write cache memory from hard boot, power, controller, or system board failures.</p> <ul style="list-style-type: none"> <li>• Standard on 2P Models, optional with others</li> <li>• Battery charge/life: Up to 72 hours/3 years</li> <li>• Transportable data protection</li> <li>• Increases overall controller performance</li> </ul> <p><b>NOTE:</b> Safely transport your write cache data to another HP ProLiant DL580 G3 in the data center by removing the BBWC Enabler and 6i Controller Memory Module simultaneously (connected by short cable).</p>		
<b>Storage</b>	Diskette Drive	None Standard - Optional Slimline Floppy Drive available (ejectable)	
	Optical Drive	Slimline DVD ROM Drive Standard on all models (ejectable)	
	Hard Drives	None ship standard	
	Hard Disk Drive Backplane	Internal Wide Ultra3/U320 backplane supports up to four hard disk drives and is easily configurable to support simplex (4x1) or duplex mode (2x2) Standard shipping configuration is the duplex mode. <b>NOTE:</b> Does not apply to 8-Bay SAS Drive Cage	
<b>Maximum Internal Storage Type</b>	Hot Plug SCSI	1.20TB	4 x 300GB Ultra320 drives (internal hot plug Ultra3 drive cage)
	Hot Plug SAS	576GB	8 x 72GB SFF SAS drives (internal hot plug)
<b>Interfaces</b>	Serial	1	
	Pointing Device (Mouse)	1	
	Graphics	1	
	Keyboard	1	
	Front USB Port (2.0)	1	
	Rear USB Ports (2.0)	2	
	iLO Remote Management	1	
	Network RJ-45	2	
<b>Graphics</b>	Integrated ATI Rage XL Video Controller with 8-MB SDRAM Video Memory		

### Standard Features

**Form Factor** Rack (4U = 7 inches), ships with Quick Deploy Sliding Rail System, an ambidextrous cable management arm and quick release levers for fast and easy serviceability and in-rack tool-less access to major components  
Space saving form factor (4U) provides space efficiencies while providing maximum deployment flexibility

### ProLiant Essentials Foundation Pack Software

**HP Systems Insight Manager** HP's new HP Systems Insight Manager (HP SIM) helps maximize system uptime and performance and reduce system maintenance costs by providing proactive notification of problems before those problems result in unplanned downtime or reduced productivity. HP SIM are both easy to set up work with the Insight Management Agents, integrated Lights-Out and Version Control Agents to deliver robust fault, configuration, and asset management as well as remote administration. With HP SIM customers will also be able to take advantage of role-based security; the ability to manage ProLiant, Integrity, and HP 9000 systems; and plug-ins for storage, client, printer, and power management as well as server rapid deployment, performance management, and workload management. For more details on HP SIM visit <http://www.hp.com/go/hpsim>.

**SmartStart** SmartStart is a tool that simplifies server setup, providing a rapid way to deploy reliable and consistent server configurations. For more information, please visit the SmartStart Web site at <http://www.hp.com/servers/smartstart>.  
**SmartStart version supported (minimum): SmartStart 7.20.**

**Insight Management Agents** The Insight Management Agents form the foundation for HP's Intelligent Manageability strategy. They provide direct, browser-based access to in-depth instrumentation built into HP servers, workstations, desktops, and portables, and send alerts to Systems Insight Manager and other enterprise management applications in case of subsystem or environmental failures. For additional information about the Management Agents and other management products from HP, please visit the management Web site at <http://www.hp.com/servers/manage>.

**Subscriber's Choice** Subscriber's Choice Driver and Support Alerts/Notifications is a web-based email subscription service that provides automatic delivery of software and driver change notifications for ProLiant products. Sign up at <http://www.hp.com/go/subscriberschoice> and customize your profile to receive various new alerts as they become available, on a weekly or monthly basis.

**ROMPaq, support software, and configuration utilities** The latest software, drivers, and firmware fully optimized and tested for your ProLiant server and options available in SmartStart or downloadable from Software and Drivers download pages, linked from the SmartStart website at <http://www.hp.com/servers/smartstart>.

**Survey Utility and diagnostics utilities** The most advanced configuration analysis, reporting and troubleshooting utilities used by HP and at your fingertips, available in SmartStart.

### Standard Features

#### Optional ProLiant Essentials Value Packs

Optional software offerings that selectively extend the functionality of an Adaptive Infrastructure to address specific business problems and needs:

- Rapid Deployment Pack (RDP) is an automated deployment and provisioning solution for all ProLiant servers. RDP includes the ProLiant Integration Module featuring ProLiant server pre-configured events for OS installation, and optimized software drivers, firmware and management agents. Every RDP disc includes 10-node trial licenses for evaluation purposes. RDP requires a license for each server deployed and is available for purchase with HP servers. For more information, visit: <http://www.hp.com/servers/rdp>.
- Workload Management Pack - provides easier management of complex environments, improving overall server utilization and enabling Windows® 2000 customers for the first time to confidently deploy multiple applications on a single multiprocessor ProLiant Server.
- Integrated Lights-Out Advanced Pack - upgrades the Integrated Lights-Out processor to full virtual presence and control with graphical console and virtual media.
- Intelligent Networking Pack - detects and analyzes network bottlenecks or broken network linkages and steers traffic to the optimum route based on network conditions, plus it provides an extra layer of protection. The virus throttle feature of the solution slows the propagation of fast spreading virus.
- Vulnerability and Patch Management Pack - identifies and remediates software security vulnerabilities due to missing patches as well operating system configurations that can be exploited by viruses, worms, and other blended threats.
- Virtual Machine Management Pack - provides central management and control of virtual machines from Microsoft and VMware. Integrated approach provides the ability to manage both physical and virtual resources from a single management console.
- Server Migration Pack - The Server Migration Pack automates the manual processes required for migrating servers between physical or virtual platforms (P2V, V2P, and V2V).

**NOTE:** Flexible and volume quantity license kits are available for ProLiant Essentials Value Packs. Refer to <http://www.hp.com/servers/proliantessentials> or the various ProLiant Essentials Value Pack product QuickSpecs for more information.

**NOTE:** For more information regarding ProLiant Essentials Software, please see the following URL: <http://www.hp.com/servers/proliantessentials>.

#### Industry Standard Compliance

ACPI 1.0a. Compliant  
PCI 2.2 Compliant  
PXE Support  
WOL Support  
Physical Address Extension (PAE) Support  
Microsoft® Logo certifications  
USB 2.0 Support



### Standard Features

#### Remote Management

Integrated Lights Out (iLO) Standard Management:

- Virtual Text Remote Console
- Virtual Power Button Control
- Dedicated & shared LAN Connectivity
- Browser and command line access
- Automatic IP Configuration via DHCP/DNS/WINS
- Industry Standard 128-bit Secure Sockets Layer (SSL) and Secure Shell Security
- IML and iLO Event Logging
- Support for 12 user accounts with customizable access privilege

Integrated Lights Out Advanced Pack (optional) Remote Graphical Console:

- Microsoft Remote Desktop for Administrators integration
- Virtual media (floppy, CD, USB key, floppy images and ISO images)
- User access management via Directory Services
- Two-factor authentication

#### Intelligent Manageability

HP Systems Insight Manager

SmartStart

Redundant ROM

Remote Flash ROM

Management Agents

Integrated Management Log (IML)

Automatic Server Recovery-2 (ASR-2)

ROM-Based Setup Utility (RBSU)

Dynamic Sector Repairing (with Smart Array Controllers)

Drive Parameter Tracking (with Smart Array Controllers)

Pre-Failure Warranty (covers processors, SCSI hard drives and memory)

Redundant/adaptive load balancing NIC Support

Hot Spare Boot

**NOTE:** Upon the event of a failed processor or VRM in a multi-processing environment, the system will automatically reboot and use the remaining good processor(s).

#### Availability

- **HP Advanced Memory Protection Technology** - delivers unsurpassed memory protection and server availability with the following supported modes of operation:
  - Advanced ECC (1 or More Memory Boards)  
Advanced ECC Memory is the default memory protection mode for the HP ProLiant DL580 G3. In Advanced ECC, the server is protected against correctable memory errors. The server will provide notification if the level of correctable errors exceeds a predefined threshold rate. The server does not fail because of correctable memory errors.

Advanced ECC provides additional protection over Standard ECC in that it is possible to correct certain memory errors that would otherwise be uncorrectable and result in server failure. Whereas Standard ECC can correct single-bit memory errors, Advanced ECC can correct single-bit and multi-bit memory errors if all failed bits are on the same DRAM device on the DIMM. Advanced ECC is the only mode in which hot-add operations are supported by adding a memory board with memory to the server while it is running.

### Standard Features

- Online Spare Memory (1 or More Memory Boards)  
Offers a higher level of memory protection than Advanced ECC alone. If the number of single-bit correctable errors on a bank exceeds the pre-defined error threshold, that bank will fail over to the online spare bank without intervention or server interruption. The failed memory can then be replaced at the user's convenience during a scheduled maintenance window.

Online Spare Memory is achieved by protecting active memory with online spare memory on the same memory board. No operating system support is required.

- Hot Plug Mirrored Memory (2 or 4 Memory Boards)  
Hot Plug Mirrored Memory provides a higher level of availability than Advanced ECC and Online Spare Memory. With Hot Plug Mirrored Memory, the server is protected against uncorrectable memory errors that would otherwise result in server failure. Hot Plug Mirrored Memory allows the server to keep two copies of all memory data on separate memory boards. If an uncorrectable error is encountered, the proper data is retrieved from the memory board that did not fail. In addition, Hot Plug Mirrored Memory allows failed or degraded DIMMs to be replaced while the server is running without requiring server downtime. The memory board with the failed DIMMs can be removed from the front of the server, failed DIMMs replaced, and the board re-inserted into the server without disengaging the server from the rack or interrupting the operating system.
- Hot Plug RAID Memory (4 Memory Boards)  
Hot Plug RAID Memory provides a similar level of protection as Hot Plug Mirrored Memory but obtains this protection using a smaller percentage of the installed memory. While Hot Plug Mirrored Memory keeps two copies of all memory data, Hot Plug RAID Memory keeps only one copy of all memory data and additional parity information. If an uncorrectable memory error is encountered, the server can create the proper data using data from the parity information and the other memory boards that contain no failures. In a Hot Plug RAID Memory configuration, 75% of the installed memory is available to the Operating System; 50% more than in a Hot Plug Mirrored Configuration. As with Hot Plug Mirrored Memory, Hot Plug RAID Memory allows failed DIMMs to be replaced while the server remains running and safely engaged in the rack.

Supported Modes	# of Memory Boards Installed			
	1 Board	2 Boards	3 Boards	4 Boards
Number of DIMMs Supported	4	8	12	16
Maximum Memory Supported	16 GB	32 GB	48 GB	64 GB
Advanced ECC Memory Protection	Yes	Yes	Yes	Yes
Online Spare Memory	Yes	Yes	Yes	Yes
Hot Plug Mirrored Memory	No	Yes	No	Yes
Hot Plug RAID Memory	No	No	No	Yes

### Standard Features

- PCI-X Hot Plug Technology (Two 64bit/133-MHz PCI-X hot plug slots available with the Hot Plug PCI-X Mezzanine Option)
- Smart Array 6i Controller with optional Battery Backed Write Cache (BBWC) Enabler provides transportable data protection and increases overall controller performance. Up to 128MB Battery Backed Write Cache protection optional on HP ProLiant DL580 G3 (BBWC Enabler ships standard with 2P Dual-Core 7040 3.00 GHz/2x2M and 3.33 GHz/8M base models)
- Hot Plug Redundant Fans - Six Hot Plug Redundant Fans ship standard with all models.
- Front Accessible Chassis - Redesigned chassis allows access to memory, processors and hard drives from the front of the server while it remains safely engaged in the rack. This provides easier serviceability and lowers the chance of interfering with neighboring servers' cables and components.
- Hot Plug Universal Drives - Up to four Hot Plug Universal drives are supported with ability to configure for Duplex or Simplex Backplane functionality.
- Hot Plug Redundant Power Supplies - Two Hot Plug Redundant Power Supplies ship standard with all 2P base models (2nd Hot Plug Redundant Power Supply is optional with 1P base models)

### Serviceability

- Front and Rear accessibility provides unsurpassed serviceability by allowing the server to remain safely secured in the rack while maintaining Hot Plug RAID Memory, Hot Plug Universal Hard Drives, Hot Plug Redundant Power Supplies, as well as Processors and Processor Power Modules.
- Innovative Diagnostic Lighting
- QuickFind Diagnostic Display - precisely depicts all major subsystems of the server (PCI-X I/O, Memory, CPU, Redundant Cooling, Interlock, Thermtrip) and gives instant visual indication of fault status. Located on top front of server.
- LED display on front panel indicates power, internal health, external health, Unit ID light.
- LED display on Memory board indicates Memory status, health, and protection mode.
- LED display on Processor board indicates Processor and Processor Power Module health.
- Tool-less, virtually cable-less interior design
  - Tool-less access to interior of server
  - Up to two, Slimline media drives are removable without the use of tools (ejectable)
  - Rear Access to Hot Plug Redundant Power Supplies
  - PCI Card Guides locks full length PCI cards in place
  - SCSI Duplex/Simplex Drive Cage connects directly to system board - no cables.  
**NOTE:** Configure your SCSI Duplex/Simplex Drive Cage by means of simple switch (duplex to simplex) located on the cage itself. System ships standard in Duplex mode.
  - Six individually removable fans connect without cables to the system board
  - Processor/PPM Retention Cage securely locks Processors into their sockets
  - Tool-less removal of system board
- Quick Deploy Rails
  - Tool-less design "snap in" rail and ambidextrous cable management arm

### Security

Power-on password  
Keyboard password  
Diskette drive control  
Diskette boot control  
Network Server Mode  
Serial interface control  
Administrator's password  
Disk configuration lock  
Removable Diskette drive (optional)  
Removable CD-ROM or DVD drive

### Standard Features

<b>Power Regulator</b>	Power Regulator is a new operating system-independent power management feature of HP ProLiant servers that enables dynamic or static changes in CPU performance and power states. In dynamic power mode, Power Regulator automatically adjusts the server's power usage and performance to match CPU application activity. This improves server energy efficiency by giving CPUs full power for applications when they need it and enabling power savings without performance degradation when application activity is reduced.
<b>Power Supply</b>	910W (low line), 1300W (high line) with 12V main output. Size is 2.8"(H) X 4.9"(W) X 7.5"(L). <b>NOTE:</b> One Hot Plug Power Supply ships standard with 1P base models (optional Redundant Hot Plug Power Supply Option Kit). <b>NOTE:</b> Two Hot Plug Power Supplies ship standard with 2P base models.
<b>UPS and PDU Power Cord Matrix</b>	Please see the UPS and PDU cable matrix that lists cable descriptions, requirements, and specifications for UPS and PDU units: <a href="ftp://ftp.compaq.com/pub/products/servers/ProLiantstorage/power-protection/powercordmatrix.pdf">ftp://ftp.compaq.com/pub/products/servers/ProLiantstorage/power-protection/powercordmatrix.pdf</a> .
<b>System Fans</b>	Standard    6 Hot plug, redundant fans (individually removable) Maximum    6 Hot plug, redundant fans (individually removable)
<b>Required Cabling</b>	For required cabling information, refer to the HP Web site at <a href="http://h18000.www1.hp.com/products/servers/proliantDL580/">http://h18000.www1.hp.com/products/servers/proliantDL580/</a> .
<b>OS Support</b>	Windows Server 2003 Microsoft Windows 2000 Red Hat Linux SuSE Linux Novell Netware Sun Solaris Intel Platform Edition VMware Virtualization Software <b>NOTE:</b> For a more complete and up-to-date listing of supported OSs and versions, please visit our OS Support Matrix at: <a href="http://www.hp.com/go/supportos">http://www.hp.com/go/supportos</a> . <b>NOTE:</b> For an up-to-date listing of the latest drivers available for the HP ProLiant DL580, please see: <a href="http://www.hp.com/support">http://www.hp.com/support</a> . <b>NOTE:</b> For a more complete and up-to-date information on Linux support, please visit HP Linux Web site at <a href="http://h18000.www1.hp.com/products/servers/linux/hpLinuxcert.html">http://h18000.www1.hp.com/products/servers/linux/hpLinuxcert.html</a> . <b>NOTE:</b> For more complete and up-to-date information on how to buy server operating systems from HP please visit the OS product site at: <a href="http://h18004.www1.hp.com/products/servers/software/OEM.html">http://h18004.www1.hp.com/products/servers/software/OEM.html</a> <b>NOTE:</b> For more information on HP's Certified and Supported ProLiant Servers, please visit the VMware Server Support Matrix at: <a href="http://h18004.www1.hp.com/products/servers/software/vmware/hpvmwarecert.html">http://h18004.www1.hp.com/products/servers/software/vmware/hpvmwarecert.html</a> .

### Standard Features

#### Rack Airflow Requirements

##### Rack 10000 series Cabinets

The increasing power of new high-performance processor technology requires increased cooling efficiency for rack-mounted servers. The 10000 Series Racks provide enhanced airflow for maximum cooling, allowing these racks to be fully loaded with servers using the latest processors.

**CAUTION:** If a third-party rack is used, observe the following additional requirements to ensure adequate airflow and to prevent damage to the equipment:

- **Front and rear doors:** If your 42U server rack includes closing front and rear doors, you must allow 5,350 sq cm (830 square inches) of hole evenly distributed from top to bottom to permit adequate airflow (equivalent to the required 64 percent open area for ventilation).
- **Side:** The clearance between the installed rack component and the side panels of the rack must be a minimum of 7 cm (2.75 inches).

**CAUTION:** Always use blanking panels to fill all remaining empty front panel U-spaces in the rack. This arrangement ensures proper airflow. Using a rack without blanking panels results in improper cooling that can lead to thermal damage.

**NOTE:** For additional information, refer to the Setup and Installation Guide or the Documentation CD provided with the server, or to the server documentation located in the Support section at the following URL: <http://www5.HP.com/products/servers/proliantdl580/index.html>.

#### Rack Mounting Requirements

HP ProLiant DL580 G3 rack models provide tool-free support for racks with square or round mounting holes (including Compaq/HP 7000, 9000, 10000, HP/E series and H9 series) with an adjustment range from 24" - 36" in depth. The ambidextrous cable management arm can be mounted on either the left or right side for improved cable management.

**NOTE:** Cable management arm must be removed to access Hot Plug Power Supplies when the cable management arm is mounted on the right.

##### HP ProLiant DL580 G3 in Telco Racks

Support for all 2-post Telco racks requires the use of the standard rack kit and an additional option kit from Rack Solutions (<http://www.racksolutions.com/hp/>)

#### Factory Express Portfolio for Servers and Storage

HP Factory Express offers configuration, customization, integration and deployment services for HP servers and storage products. Customers can choose how their factory solutions are built, tested, integrated, shipped and deployed.

Factory Express offers service packages for simple configuration, racking, installation, complex configuration and design services as well as individual factory services, such as image loading, asset tagging, and custom packaging. HP products supported through Factory Express include a wide array of servers and storage: HP Integrity, HP ProLiant, HP ProLiant Server Blades, HP BladeSystem, HP 9000 servers as well as the MSA1000, VA7xxx, EVA, XP, rackable tape libraries and configurable network switches.

For more information on Factory Express services for your specific server model please contact your sales representative or go to <http://www.hp.com/go/factory-express>.

#### Custom Builder

Please see the Enterprise Configurator for configuration assistance at: <http://www.hp.com/products/configurator>.

### Standard Features

#### Service and Support

This product is covered by a global limited warranty and supported by HP Services and a worldwide network of resellers and service providers. Hardware diagnostic support and repair is available for three years from date of purchase. Support for software and initial setup is available for 90 days from date of purchase. Additional support may be covered under the warranty or available for an additional fee. Enhancements to warranty services are available through HP Care Pack services or customized service agreements.

**NOTE:** Limited warranty includes 3 year parts, 3 year labor, 3-year on-site support.

**NOTE:** SATA drives have a 1 year warranty.

From Web-based support...to remote diagnostic tools that help decrease downtime...to dedicated onsite service, HP and its service partners provide "as-you-need-it" access to ProLiant-specific knowledge and skills no other vendor can match.

Care Pack services provide a range of life cycle support options that let you choose the service levels that meet your business requirements, from basic to mission-critical.

A full range of HP Care Pack hardware and software services are available including:

- Installation and Start up services helps you get your ProLiant servers deployed rapidly
- Education courses provide industry leading training for IT professionals
- Support services for fast, efficient resolution of hardware and software issues
- Extending onsite hardware warranty coverage from next business day to same business day 13 hours, 5 day or 24 hours, 7 days call window with options including 4-hour response or 6-hour Call To Repair
- Comprehensive range of software technical support for Microsoft, Linux, ProLiant Essentials and VMWare-based IT solutions helping to deliver high level of application availability. Response times range from 30 mins for critical problems to 2 hours.
- System Management, Performance Services and Mission Critical Support Solution

HP Care Pack services include coverage for the HP branded hardware options qualified for the server, purchased at the same time or afterward, internal to the enclosure, as well as 22" and smaller external monitors and tower UPS options up to 3kVA; these items will be covered at the same service level and for the same coverage period as the server. Coverage of UPS Battery is not included, standard warranty terms & conditions apply. For servers or storage systems installed within a rack, service also covers all HP qualified rack options installed within the same rack.

**NOTE:** For more information on HP Care Pack services, contact any of our worldwide sales offices or resellers or visit our worldwide Web site on the internet at: <http://www.hp.com/hps/carepack>

**NOTE:** For more information on Software Support offers contact any of our worldwide sales offices or resellers or visit our worldwide Web site on the internet at: <http://www.hp.com/hps/software>

**NOTE:** For more information on HP ProLiant Essentials support offers contact any of our worldwide sales offices or resellers or visit our worldwide Web site on the internet at: [http://www.hp.com/hps/servers/sr\\_proliant\\_essentials.html](http://www.hp.com/hps/servers/sr_proliant_essentials.html)

**NOTE:** For more information on HP training offers contact any of our worldwide sales offices or resellers or visit our worldwide Web site on the internet at: <http://www.hp.com/education/>

**NOTE:** For more complete information on HP Services offerings, customers and resellers, please visit us at: <http://www.hp.com/hps>

**NOTE:** Additional information regarding worldwide limited warranty and technical support is available at: <http://h18004.www1.hp.com/products/servers/platforms/warranty/index.html>

### Solutions

#### Solutions

The HP ProLiant DL580 G3 server is an enterprise class, 4-way server designed for maximum scalability and high availability. Its radically redesigned chassis offers unsurpassed flexibility and serviceability in a versatile, rack-optimized form factor.

Based upon the latest industry standard processing, memory, I/O and networking technologies, the HP ProLiant DL580 G3 provides the highest levels of performance demanded by today's compute intensive applications. Unparalleled high availability features, including Hot Plug RAID Memory technology, an integrated U320 Smart Array 6i controller, duplex drive cage, and hot-plug redundant components guarantee maximum uptime. The HP ProLiant DL580 G3's Integrated Lights-Out technology, allows remote administration from a standard web-browser without ever having to visit the server. Within the 4U dense form factor, the HP ProLiant DL580 G3's highly expandable architecture provides maximum application deployment flexibility with the ability to add PCI-Express, hot plug PCI-X or battery-backed write cache options. Innovative new features, such as the ability to access processors, memory, hard drives, and power supplies while the unit remains secured in the rack, enable rapid response to service events, radically decreasing overall IT costs and server downtime.

#### Typical Usage:

##### Space-constrained corporate data centers and service providers

- With up to 1.2TB of internal storage, 16 DIMM sockets and PCI-Express or hot-plug PCI-X mezzanine options; the HP ProLiant DL580 G3 packs the storage, memory, and I/O you need in a versatile, 4U chassis
- Ambidextrous cable management and a quick deploy rail solution make racking a snap
- Availability features including hot plug RAID memory, hot plug redundant power, hot plug redundant fans, hot plug PCI-X and hot plug RAID hard drives keep environments up and running and users productive

##### Database, Messaging and Business Applications

- The latest 64-bit Intel® Xeon™ processors with Hyper-Threading, DDR-2 memory, and large internal storage capacity provide scalability for everything from web apps to mail servers to databases
- Five standard full-length PCI-X slots and the ability to add either two additional X4 PCI Express, one additional X8 PCI Express, or two additional hot plug PCI-X slots, provide powerful and flexible I/O alternatives
- Integrated dual-port 10/100/1000 gives you the connectivity and bandwidth needed in today's database or business applications environments
- Easily attach to SAN or NAS and manage from one location

##### Server Consolidation

- Scalability, availability and built-in serviceability make the HP ProLiant DL580 G3 the perfect platform for server consolidation solutions
- The ProLiant HP DL580 G3 and ProLiant Essentials make it easy to deploy, manage, and migrate virtualized servers with VMware or Microsoft Virtual Server
- Integrated Lights-Out enables administrators to manage the HP ProLiant DL580 G3 from remote locations

For more solutions visit: <http://www.hp.com/solutions/proliantdl580>.

### Models

#### Serial Attached SCSI (SAS) Models

<b>DL580R03 X3.00-8MB, 2GB (2P) SAS 391088-xx1</b>	<b>Processor(s)</b> <b>Cache Memory</b> <b>Memory</b>  <b>Network Controller</b>  <b>Storage Controller</b> <b>Manageability</b> <b>Hard Drives</b> <b>Internal Storage</b> <b>Power Supply</b> <b>Optical Drive</b> <b>Diskette Drive</b> <b>Form Factor</b>	(2) 64-bit Intel Xeon MP Processors 3.00 GHz (up to 4 supported) 8MB level 3 cache (1) Memory Cartridge (up to 4 supported) 2 GB (2 x 1 GB) PC2-3200R 400MHz DDR2 with Advanced ECC and online spare memory capabilities Embedded NC7782 Dual Port PCI-X 10/100/1000T Gigabit network adapter Smart Array P600 Controller Integrated Lights-Out (iLO) Standard Management None ship standard 576GB max (with optional 72GB SFF SAS Hot Plug hard drives) (2) Hot Plug Redundant Power Supplies Slimline DVD-ROM Drive (8X/24X) (ejectable) None ship standard (optional Ejectable Slimline Floppy Drive) Rack 4U
--	--	--

#### SCSI Models

<b>DL580R03 X7040 DC, 2GB (2P) 399779-xx1</b>	<b>Processor(s)</b> <b>Cache Memory</b> <b>Memory</b>  <b>Network Controller</b>  <b>Storage Controller</b>  <b>Manageability</b> <b>Hard Drives</b> <b>Internal Storage</b>  <b>Power Supply</b> <b>Optical Drive</b> <b>Diskette Drive</b> <b>Form Factor</b>	2) 64-bit Dual-Core Intel Xeon 7040 Processors 3.00 GHz (up to 4 supported) 2x2MB level 2 cache (1) Memory Cartridge (up to 4 supported) 2 GB (2 x 1 GB) PC2-3200R 400MHz DDR2 with Advanced ECC and online spare memory capabilities Embedded NC7782 Dual Port PCI-X 10/100/1000T Gigabit network adapter Smart Array 6i Controller (U320, integrated on system board) with 128MB Battery Backed Write Cache Integrated Lights-Out (iLO) Standard Management None ship standard 1.2TB max (with optional 300GB U320 Universal Hot Plug hard drives)-upgradeable to SAS (2) Hot Plug Redundant Power Supplies Slimline DVD-ROM Drive (8X/24X) (ejectable) None ship standard (optional Ejectable Slimline Floppy Drive) Rack 4U
---	--	---



### Models

<b>DL580R03 3.33 GHz- 8MB, 2GB (2P) 364635-xx1</b>	<b>Processor(s)</b>	(2) Intel Xeon MP Processors 3.33 GHz (up to 4 supported)
	<b>Cache Memory</b>	8MB level 3 cache
	<b>Memory</b>	(1) Memory Cartridge (up to 4 supported) 2GB (2 x 1GB) PC2-3200R 400MHz DDR2 with Advanced ECC and online spare memory capabilities
	<b>Network Controller</b>	Embedded NC7782 Dual Port PCI-X 10/100/1000T Gigabit network adapter
	<b>Storage Controller</b>	Smart Array 6i Controller (U320, integrated on system board)
	<b>Manageability</b>	Integrated Lights-Out (iLO) Standard Management
	<b>Hard Drives</b>	None ship standard
	<b>Internal Storage</b>	1.2TB max (with optional 300GB U320 Universal Hot Plug hard drives)- upgradeable to SAS
	<b>Power Supply</b>	(2) Hot Plug Redundant Power Supplies
	<b>Optical Drive</b>	Slimline DVD-ROM Drive (8X/24X) (ejectable)
<b>Diskette Drive</b>	None ship standard (optional Ejectable Slimline Floppy Drive)	
<b>Form Factor</b>	Rack 4U	

---

<b>DL580R03 3.00 GHz- 8MB, 2GB (2P) 364634-xx1</b>	<b>Processor(s)</b>	(2) Intel Xeon MP Processor 3.00 GHz (up to 4 supported)
	<b>Cache Memory</b>	8MB level 3 cache
	<b>Memory</b>	(1) Memory Cartridge (up to 4 supported) 2 GB (2 x 1 GB) PC2-3200R 400MHz DDR2 with Advanced ECC and online spare memory capabilities
	<b>Network Controller</b>	Embedded NC7782 Dual Port PCI-X 10/100/1000T Gigabit network adapter
	<b>Storage Controller</b>	Smart Array 6i Controller (U320, integrated on system board)
	<b>Manageability</b>	Integrated Lights-Out (iLO) Standard Management
	<b>Hard Drives</b>	None ship standard
	<b>Internal Storage</b>	1.2TB max (with optional 300GB U320 Universal Hot Plug hard drives) - upgradeable to SAS
	<b>Power Supply</b>	(2) Hot Plug Redundant Power Supplies
	<b>Optical Drive</b>	Slimline DVD-ROM Drive (8X/24X) (ejectable)
<b>Diskette Drive</b>	None ship standard (optional Ejectable Slimline Floppy Drive)	
<b>Form Factor</b>	Rack 4U	

---

### Models

DL580R03 X7020 DC, 1GB (1P) 399778-xx1	<b>Processor(s)</b>	(1) 64-bit Dual-Core Intel Xeon 7020 Processor 2.66 GHz (up to 4 supported)
	<b>Cache Memory</b>	2x1MB level 2 cache
	<b>Memory</b>	(1) Memory Cartridge (up to 4 supported) 1 GB (2 x 512 MB) PC2-3200R 400MHz DDR2 with Advanced ECC and online spare memory capabilities
	<b>Network Controller</b>	Embedded NC7782 Dual Port PCI-X 10/100/1000T Gigabit network adapter
	<b>Storage Controller</b>	Smart Array 6i Controller (U320, integrated on system board)
	<b>Manageability</b>	Integrated Lights-Out (iLO) Standard Management
	<b>Hard Drives</b>	None ship standard
	<b>Internal Storage</b>	1.2TB max (with optional 300GB U320 Universal Hot Plug hard drives) - upgradeable to SAS
	<b>Power Supply</b>	(1) Hot Plug Redundant Power Supply
	<b>Optical Drive</b>	Slimline DVD-ROM Drive (8X/24X) (ejectable)
	<b>Diskette Drive</b>	None ship standard (optional Ejectable Slimline Floppy Drive)
<b>Form Factor</b>	Rack 4U	

---

DL580R03 2.83 GHz- 4MB 1GB (1P) 364633-xx1	<b>Processor(s)</b>	(1) Intel Xeon MP Processor 2.83 GHz (up to 4 supported)
	<b>Cache Memory</b>	4MB level 3 cache
	<b>Memory</b>	(1) Memory Cartridge (up to 4 supported) 1 GB (2 x 512 MB) PC2-3200R 400MHz DDR2 with Advanced ECC and online spare memory capabilities
	<b>Network Controller</b>	Embedded NC7782 Dual Port PCI-X 10/100/1000T Gigabit network adapter
	<b>Storage Controller</b>	Smart Array 6i Controller (U320, integrated on system board)
	<b>Manageability</b>	Integrated Lights-Out (iLO) Standard Management
	<b>Hard Drives</b>	None ship standard
	<b>Internal Storage</b>	1.2TB max (with optional 300GB U320 Universal Hot Plug hard drives) - upgradeable to SAS
	<b>Power Supply</b>	(1) Hot Plug Redundant Power Supply
	<b>Optical Drive</b>	Slimline DVD-ROM Drive (8X/24X) (ejectable)
	<b>Diskette Drive</b>	None ship standard (optional Ejectable Slimline Floppy Drive)
<b>Form Factor</b>	Rack 4U	

---

### Models

<b>DL580R03 3.66 GHz- 1MB 1GB (1P) 385999-xx1</b>	<b>Processor(s)</b>	(1) Intel Xeon MP Processors 3.66 GHz (up to 4 supported)
	<b>Cache Memory</b>	1MB level 2 cache
	<b>Memory</b>	(1) Memory Cartridge (up to 4 supported) 1 GB (2 x 512 MB) PC2-3200R 400MHz DDR2 with Advanced ECC and online spare memory capabilities
	<b>Network Controller</b>	Embedded NC7782 Dual Port PCI-X 10/100/1000T Gigabit network adapter
	<b>Storage Controller</b>	Smart Array 6i Controller (U320, integrated on system board)
	<b>Manageability</b>	Integrated Lights-Out (iLO) Standard Management
	<b>Hard Drives</b>	None ship standard
	<b>Internal Storage</b>	1.2TB max (with optional 300GB U320 Universal Hot Plug hard drives)-upgradeable to SAS
	<b>Power Supply</b>	(1) Hot Plug Power Supply
	<b>Optical Drive</b>	Slimline DVD-ROM Drive (8X/24X) (ejectable)
	<b>Diskette Drive</b>	None ship standard (optional Ejectable Slimline Floppy Drive)
<b>Form Factor</b>	Rack 4U	

<b>DL580R03 3.16 GHz- 1MB 1GB (1P) 377239-xx1</b>	<b>Processor(s)</b>	(1) Intel Xeon MP Processors 3.16 GHz (up to 4 supported)
	<b>Cache Memory</b>	1MB level 2 cache
	<b>Memory</b>	(1) Memory Cartridge (up to 4 supported) 1 GB (2 x 512 MB) PC2-3200R 400MHz DDR2 with Advanced ECC and online spare memory capabilities
	<b>Network Controller</b>	Embedded NC7782 Dual Port PCI-X 10/100/1000T Gigabit network adapter
	<b>Storage Controller</b>	Smart Array 6i Controller (U320, integrated on system board)
	<b>Manageability</b>	Integrated Lights-Out (iLO) Standard Management
	<b>Hard Drives</b>	None ship standard
	<b>Internal Storage</b>	1.2TB max (with optional 300GB U320 Universal Hot Plug hard drives)-upgradeable to SAS
	<b>Power Supply</b>	(1) Hot Plug Power Supply
	<b>Optical Drive</b>	Slimline DVD-ROM Drive (8X/24X) (ejectable)
	<b>Diskette Drive</b>	None ship standard (optional Ejectable Slimline Floppy Drive)
<b>Form Factor</b>	Rack 4U	

<b>Country Code Key</b>	XX=00	US
	XX=20	Brazil
	XX=42	Int'l, Europe, Germany, France
	XX=29	Japan
	XX=37	APD
	XX=AA	PRC

### Configuration Information - Factory Integrated Models (North America only)

**NOTE:** For Configure to Order requirements within EMEA region, please consult local Sales Contact.

**NOTE:** HP does not allow factory integration of options into standard models listed above.

Configure-to-order servers must start with a CTO Chassis.

**NOTE:** This product offering does not support HP Factory Express Server Configuration Level 1.

### Step 1: Base Configuration

Models	<p>HP ProLiant DL580 G3 Highly Serviceable Rack Chassis, NA <span style="float: right;">364636-405</span></p> <p><b>Factory Integrated Model ships with:</b></p> <p>Embedded NC7782 Dual Port PCI-X 10/100/1000T Gigabit network adapter</p> <p>Ultra320 Smart Array 6i Controller (integrated on system board)</p> <p>Five Standard 64-bit non-hot plug PCI-X slots (3 x 133MHz, 2 x 100MHz)</p> <p>One (1) Hot Plug Power Supply with one (1) low line NEMA power cord and One high-line IEC power cord</p> <p>Six (1) Redundant Hot Plug Fans</p> <p>Wide Ultra3/U320 Duplex Drive Cage (can be Simplex configured)</p> <p>Integrated Lights-Out (iLO) Standard Management</p> <p>Rack (4U), 7-inch</p>
--------	--

### Step 2: Choose Required Options (only one of the following from each list unless otherwise noted)

Processors	<p>64-bit Dual-Core Intel® Xeon™ 7040 (3.00GHz, 2x2M L2) 580 G3 FIO <span style="float: right;">399889-L22</span></p> <p><b>NOTE:</b> If more than one processor is desired, additional processor selections would be 399889-B21. If High Performance Pack features are desired, select 404082-001 and any desired additional processors.</p> <p>64-bit Dual-Core Intel® Xeon™ 7020 (2.66GHz, 2x1M L2) 580 G3 FIO <span style="float: right;">399888-L22</span></p> <p><b>NOTE:</b> If more than one processor is desired, additional processor selections would be 399888-B21.</p> <p>64-bit Intel® Xeon™ 3.33-8M 580 G3 FIO <span style="float: right;">348111-L22</span></p> <p><b>NOTE:</b> If more than one processor is desired, additional processor selections would be 348111-B21. If High Performance Pack features are desired, select 391717-001 and any desired additional processors.</p> <p>64-bit Intel® Xeon™ 3.00-8M 580 G3 FIO <span style="float: right;">348110-L22</span></p> <p><b>NOTE:</b> If more than one processor is desired, additional processor selections would be 348110-B21. If High Performance Pack features are desired, select 391718-001(U320) or 393768-001(SAS) and any desired additional processors.</p> <p>64-bit Intel® Xeon™ 2.83-4M 580 G3 FIO <span style="float: right;">348109-L22</span></p> <p><b>NOTE:</b> If more than one processor is desired, additional processor selections would be 348109-B21.</p> <p>64-bit Intel® Xeon™ 3.66-1M 580 G3 FIO <span style="float: right;">385903-L22</span></p> <p><b>NOTE:</b> If more than one processor is desired, additional processor selections would be 385903-B21.</p> <p>64-bit Intel® Xeon™ 3.16-1M 580 G3 FIO <span style="float: right;">375369-L22</span></p> <p><b>NOTE:</b> If more than one processor is desired, additional processor selections would be 375369-B21.</p>
------------	--

### Configuration Information - Factory Integrated Models (North America only)

<b>Base Memory</b>	8 GB (2 x 4 GB 2RANK) PC2-3200R 400MHz DDR2 Option Kit	404122-B21
	<b>NOTE:</b> Requires baffled Memory Board Replacement Cover - included in kit.	
	4 GB (2 x 2 GB 2RANK) PC2-3200R 400MHz DDR2 with Advanced ECC and online spare memory capabilities	375004-B21
	<b>NOTE:</b> If 2GB DIMM's are desired, 2GB 2RANK DIMM's are recommended with the HP ProLiant DL580 G3. However, 2GB 1RANK DIMM's are also supported for commonality with other HP ProLiant servers.	
	4 GB (2 x 2 GB 1RANK) PC2-3200R 400MHz DDR2 with Advanced ECC and online spare memory capabilities.	343057-B21
	<b>NOTE:</b> If 2GB DIMM's are desired, 2GB 2RANK DIMM's are recommended with the HP ProLiant DL580 G3. However, 2GB 1RANK DIMM's are also supported for commonality with other HP ProLiant servers.	
	2 GB (2 x 1 GB 1RANK) PC2-3200R 400MHz DDR2 with Advanced ECC and online spare memory capabilities	343056-B21
	1 GB (2 x 512 MB 1RANK) PC2-3200R 400MHz DDR2 with Advanced ECC and online spare memory capabilities	343055-B21
<b>Optical Drive</b>	Slimline CD-RW/DVD-ROM 24X Combo Drive Option Kit (Servers)	331903-B21
	Slimline DVD-ROM Drive (8X/24X) Option Kit (Servers)	264007-B21
	HP DVD+R/RW 8X Slimline	383975-B21

### Step 3: Choose Additional Factory Integratable Options

**High Performance Model Options** The HP ProLiant DL580 G3 Performance Packs include the latest performance technologies and enterprise class availability features pre-installed for convenience and value. In addition to the standard features listed in Step 1, the Performance Packs include the following:

- 2nd Intel Xeon Processor MP and Processor Power Module
- 2nd Rear Accessible Hot Plug Redundant Power Supplies
- The X7040 DC and 3.33 GHz Performance Packs also include the 128MB Battery Backed Write Cache for the embedded Smart Array 6i controller
- The HP ProLiant DL580 G3 SAS Performance Pack includes the Smart Array P600 Controller

**NOTE:** 8-Bay SAS/SATA Cage (379090-B21) not included but is required, please include in order. SAS Performance pack includes the Smart Array P600 Controller.

DL580G3 X7040 (3.00 GHz, 2x2MB L2 Cache) HPM Performance Pack	404082-001
DL580G3 X3.33 GHz/667-8MB HPM Performance Pack US	391717-001
DL580G3 X3.00 GHz/667-8MB HPM Performance Pack US	391718-001
DL580G3 X3.00 GHz/667-8MB HPM SAS Performance Pack US	393768-001

**NOTE:** 8-Bay SAS/SATA Cage (379090-B21) not included but is required, please include in order. SAS Performance pack includes the Smart Array P600 Controller.

### Configuration Information - Factory Integrated Models (North America only)

SAS Options	8-Bay SAS/SATA Cage Option Kit <b>NOTE:</b> Required to configure all SAS models. <b>NOTE:</b> May be ordered with a SAS/SATA Controller such as the Smart Array P600 Controller and the desired quantity of SFF SAS Universal Hard Drives/SFF SATA hard drives OR may be ordered with one of the following SAS Starter Kits.	379090-B21
	SAS Starter Kit - 36 GB <b>NOTE:</b> Includes Smart Array P600 Performance Array Controller with 256MB BBWC and (2) 36GB SFF SAS Universal Hard Drives.	396221-B21
	SAS Starter Kit - 72 GB <b>NOTE:</b> Includes Smart Array P600 Performance Array Controller with 256MB BBWC and (2) 72GB SFF SAS Universal Hard Drives.	396220-B21

### Step 4: Choose Additional Options for Factory Integration

**NOTE:** For additional options, please refer to the "Options" section below.

### Options

ProLiant DL580 Unique Options	Hot Plug 64-bit/133MHz PCI-X Mezzanine Option <b>NOTE:</b> Adds two Hot Plug PCI-X slots.	377520-B21
	PCI Express X4 Mezzanine Option <b>NOTE:</b> Adds two PCI Express (X4) I/O slots. Each slot will accept PCI Express cards with X1 through X8 connectors and utilize X4 lanes.	377522-B21
	PCI Express X8 Mezzanine Option <b>NOTE:</b> Adds one PCI Express (X8) I/O slot. The slot will accept PCI Express Cards with X1 through X8 connectors and utilize X8 lanes.	389876-B21
	DL580 G3 Memory Board <b>NOTE:</b> The HP ProLiant DL580 G3 utilizes up to four Memory Boards that support up to four DIMMs each. These memory boards are Front accessible providing unsurpassed levels of memory protection as well as scalability for the most memory-intensive applications. See Memory Configuration Diagram. <b>NOTE:</b> One Memory Board ships standard with all models.	364639-B21
	8-Bay SAS/SATA Cage Option Kit <b>NOTE:</b> The SAS/SATA Cage can be used in conjunction with a SAS/SATA Controller such as the Smart Array P600 Controller to upgrade all U320 models to SAS. The SAS Model ships standard with these items.	379090-B21

ProLiant Essentials Value Pack Software	<b>ProLiant Essentials Integrated Lights-Out Advanced Pack</b> ProLiant Essentials Integrated Lights-Out Advanced Pack, 1 server <b>Featuring:</b> sophisticated virtual administration features for ultimate control of servers in the data centers and remote sites. <b>NOTE:</b> For additional ProLiant Integrated Light-Out Advanced Pack License Kits please see the QuickSpecs at: <a href="http://h18000.www1.hp.com/products/quickspecs/11052_div/11052_div.HTML">http://h18000.www1.hp.com/products/quickspecs/11052_div/11052_div.HTML</a>	263825-B21
	<b>ProLiant Essentials Intelligent Networking Pack</b> ProLiant Essentials Intelligent Networking Pack, Single Server License <b>NOTE:</b> For use with a single server. Contains one license with a unique license activation key and documentation. <b>NOTE:</b> For additional ProLiant Intelligent Networking Pack License Kits please see the QuickSpecs at: <a href="http://h18000.www1.hp.com/products/quickspecs/12062_div/12062_div.HTML">http://h18000.www1.hp.com/products/quickspecs/12062_div/12062_div.HTML</a>	372906-B21
	ProLiant Essentials Intelligent Networking Pack - Linux Edition, Single Server License <b>NOTE:</b> For additional ProLiant Intelligent Networking Pack - Linux License Kits please see the QuickSpecs at: <a href="http://h18000.www1.hp.com/products/quickspecs/12327_div/12327_div.HTML">http://h18000.www1.hp.com/products/quickspecs/12327_div/12327_div.HTML</a>	397004-B21
	<b>ProLiant Essentials Rapid Deployment Pack Windows Edition and Linux Edition Release</b> Rapid Deployment Pack, Single-Server License <b>NOTE:</b> This license allows 1 server to be deployed and managed via RDP.	267196-B21
	Rapid Deployment Pack, Single-Server License (Japan) <b>NOTE:</b> This license allows 1 server to be deployed and managed via RDP. <b>NOTE:</b> For additional ProLiant Essentials Rapid Deployment Pack License Kits please see the QuickSpecs at: <a href="http://h18000.www1.hp.com/products/quickspecs/11053_div/11053_div.HTML">http://h18000.www1.hp.com/products/quickspecs/11053_div/11053_div.HTML</a> <a href="http://h18000.www1.hp.com/products/quickspecs/11713_div/11713_div.HTML">http://h18000.www1.hp.com/products/quickspecs/11713_div/11713_div.HTML</a>	267196-291
	<b>ProLiant Essentials Workload Management Pack</b>	

### Options

<p>ProLiant Essentials Workload Management Pack, Single Server License</p> <p><b>NOTE:</b> For additional ProLiant Workload Management Pack License Kits please see the QuickSpecs at:  <a href="http://h18000.www1.hp.com/products/quickspecs/11452_div/11452_div.HTML">http://h18000.www1.hp.com/products/quickspecs/11452_div/11452_div.HTML</a></p> <p><b>ProLiant Essentials Virtualization Management Software</b></p> <p>ProLiant Essentials Virtual Machine Management Pack, Single-Server License</p> <p><b>NOTE:</b> For use with a single server. Contains one license with a unique license activation key and documentation.</p> <p>ProLiant Essentials Server Migration Pack, Single-Migration License</p> <p><b>NOTE:</b> Contains one license, enabling 1 server migration, with a unique license activation key and documentation.</p> <p><b>NOTE:</b> This license allows 1 server to be migrated from a physical server to a virtual machine. Or this license can be used to migrate a virtual machine from one virtualization layer i.e. VMware GSX to a different virtualization layer such as VMware ESX or Microsoft Virtual Server 2005.</p> <p><b>NOTE:</b> For additional ProLiant Essentials Virtualization Management Software License Kits please see the QuickSpecs at:  <a href="http://h18000.www1.hp.com/products/quickspecs/12328_div/12328_div.HTML">http://h18000.www1.hp.com/products/quickspecs/12328_div/12328_div.HTML</a></p> <p><b>ProLiant Essentials Vulnerability and Patch Management Pack</b></p> <p>ProLiant Essentials Vulnerability and Patch Management Pack, Single-Server License</p> <p><b>NOTE:</b> For use with a single server. Contains one license with a unique license activation key and documentation.</p> <p><b>NOTE:</b> For additional ProLiant Vulnerability and Patch Management Pack License Kits, please see the QuickSpecs at:  <a href="http://h18000.www1.hp.com/products/quickspecs/12111_div/12111_div.HTML">http://h18000.www1.hp.com/products/quickspecs/12111_div/12111_div.HTML</a></p> <p><b>NOTE:</b> Flexible and volume quantity license kits are available for ProLiant Essentials Value Packs. Refer to <a href="http://www.hp.com/servers/proliantessentials">http://www.hp.com/servers/proliantessentials</a> or the various ProLiant Essentials Value Pack product QuickSpecs for more information.</p> <p><b>NOTE:</b> For more information regarding ProLiant Essentials Software, please see the following URL: <a href="http://www.hp.com/servers/proliantessentials">http://www.hp.com/servers/proliantessentials</a>.</p>	<p>303284-B21</p> <p>372214-B21</p> <p>375345-B21</p> <p>371645-B21</p>
---	---

<b>Processor</b>	<p>Dual-Core Intel Xeon 7040 (3.00GHz-2x2MB) Processor Option Kit</p> <p><b>NOTE:</b> This processor option kit (PN 399889-B21) supports the HP ProLiant ML570 G3 and the HP ProLiant DL580 G3.</p> <p>Dual-Core Intel Xeon 7020 (2.66GHz-2x1MB) Processor Option Kit</p> <p><b>NOTE:</b> This processor option kit (PN 399888-B21) supports the HP ProLiant ML570 G3 and the HP ProLiant DL580 G3.</p> <p>HP DL580 G3 DC Processor Blank Kit</p> <p><b>NOTE:</b> This kit contains 3 processor blanks. These blanks are required only when a HP ProLiant DL580 G3 server is being upgraded and will be populated with less than 4 dual-core processors.</p> <p>Intel® Xeon™ 3.33 GHz/667-8MB 570/580 G3 Processor Option Kit</p> <p>Intel® Xeon™ 3.00 GHz/667-8MB 570/580 G3 Processor Option Kit</p> <p>Intel® Xeon™ 2.83 GHz/667-4MB 570/580 G3 Processor Option Kit</p> <p>Intel® Xeon™ 3.66 GHz/667-1MB 570/580 G3 Processor Option Kit</p> <p>Intel® Xeon™ 3.16 GHz/667-1MB 570/580 G3 Processor Option Kit</p>	<p>399889-B21</p> <p>399888-B21</p> <p>407556-B21</p> <p>348111-B21</p> <p>348110-B21</p> <p>348109-B21</p> <p>385903-B21</p> <p>375369-B21</p>
------------------	---	---



### Options

Memory (DIMMs)	8 GB (2 x 4 GB 2RANK) PC2-3200R 400MHz DDR2 Option Kit <b>NOTE:</b> Requires baffled Memory Board Replacement Cover - included in kit.	404122-B21
	4 GB (2 x 2 GB 2RANK) PC2-3200R 400MHz DDR2 Option Kit <b>NOTE:</b> With Advanced ECC and online spare memory capabilities. 2GB 2RANK DIMM's are recommended with the HP ProLiant DL580 G3. However, 2GB 1RANK DIMM's are also supported for commonality with other HP ProLiant servers.	375004-B21
	4 GB (2 x 2 GB 1RANK) PC2-3200R 400MHz DDR2 Option Kit <b>NOTE:</b> With Advanced ECC and online spare memory capabilities.	343057-B21
	2 GB (2 x 1 GB 1RANK) PC2-3200R 400MHz DDR2 Option Kit <b>NOTE:</b> With Advanced ECC and online spare memory capabilities.	343056-B21
	1 GB (2 x 512 MB 1RANK) PC2-3200R 400MHz DDR2 Option Kit <b>NOTE:</b> With Advanced ECC and online spare memory capabilities.	343055-B21
	DL580 G3 Memory Board <b>NOTE:</b> The HP ProLiant DL580 G3 utilizes up to four Memory Boards that support up to four DIMMs each. These memory boards are Front accessible providing unsurpassed levels of memory protection as well as scalability for the most memory-intensive applications. See Memory Configuration Diagram. <b>NOTE:</b> One Memory Board ships standard with all models.	364639-B21
Diskette Drive	Slimline Floppy Diskette Drive Option Kit <b>NOTE:</b> Ejectable drive.	390164-B21
Optical Drives	Slimline CD-RW/DVD-ROM Combo Drive Option Kit <b>NOTE:</b> Ejectable drive.	331903-B21
	Slimline DVD-ROM Drive (8X/24X) Option Kit <b>NOTE:</b> Ejectable drive.	264007-B21
	Slimline CD-ROM Drive 24X	356963-B21
	Slimline DVD+R/RW 8X Drive Option Kit <b>NOTE:</b> Ejectable drive	383975-B21
Hard Drives	<b>Ultra320 SCSI - Universal Hot Plug</b>	
	HP 300GB U320 10K Universal HDD	350964-B22
	HP 146GB U320 10K Universal HDD	286716-B22
	HP 72GB U320 10K Universal HDD	286714-B22
	HP 146GB U320 15K Universal HDD	347708-B22
	HP 72GB U320 15K Universal HDD	286778-B22
	HP 36GB U320 15K Universal HDD	286776-B22
	<b>NOTE:</b> All U320 Universal Hard Drives are backward compatible to U2 or U3 speeds. <b>NOTE:</b> Please see the Hard Drive QuickSpecs for Technical Specifications such as capacity, height, width, interface, transfer rate, seek time, physical configuration, and operating temperature: <a href="http://h18000.www1.hp.com/products/quickspecs/11531_div/11531_div.HTML">http://h18000.www1.hp.com/products/quickspecs/11531_div/11531_div.HTML</a> (Worldwide)	
<b>SFF SAS Hot Plug</b>		
HP 36GB 3G SAS 10K SFF HDD	375859-B21	

### Options

HP 72GB 3G SAS 10K SFF HDD 375861-B21

**NOTE:** Please see the SAS Hard Drive QuickSpecs for Technical Specifications such as capacity, height, width, interface, transfer rate, seek time, physical configuration, and operating temperature:

[http://h18000.www1.hp.com/products/quickspecs/12224\\_div/12224\\_div.HTML](http://h18000.www1.hp.com/products/quickspecs/12224_div/12224_div.HTML)

(Worldwide)

#### SFF SATA Hot Plug

HP 60GB 1.5G SATA 5.4K SFF HDD 379306-B21

**NOTE:** Please see the SATA Hard Drive QuickSpecs for Technical Specifications such as capacity, height, width, interface, transfer rate, seek time, physical configuration, and operating temperature:

[http://h18000.www1.hp.com/products/quickspecs/11940\\_div/11940\\_div.HTML](http://h18000.www1.hp.com/products/quickspecs/11940_div/11940_div.HTML)

(Worldwide)

### Storage Controllers

#### SAS Controllers

Smart Array P600 Controller 337972-B21

**NOTE:** The Smart Array P600 Controller supports internal and external Serial Attached SCSI and Serial ATA drives. It is supported in all HP ProLiant DL580 G3 Models. Ships standard on SAS Model.

**NOTE:** Internal usage of the Smart Array P600 Controller requires the 8-Bay SAS/SATA Drive Cage Option Kit. Ships standard on SAS Model.

512MB DDR BBWC Upgrade 372538-B21

**NOTE:** Please see the following SAS Controller QuickSpecs for Technical Specifications such as PCI Bus, PCI Peak Data Transfer Rate, Protocols supported, Peak Data Transfer Rate, Channels, Ports, Drives supported, Cache, RAID support, and additional information:

[http://h18000.www1.hp.com/products/quickspecs/12247\\_div/12247\\_div.HTML](http://h18000.www1.hp.com/products/quickspecs/12247_div/12247_div.HTML)

(Smart Array P600)

#### SAS HBA

HP 8 Internal Port SAS HBA with RAID 347786-B21

**NOTE:** Please see the following QuickSpecs for additional information:

[http://h18004.www1.hp.com/products/quickspecs/12332\\_div/12332\\_div.html](http://h18004.www1.hp.com/products/quickspecs/12332_div/12332_div.html)

(SAS HBA)

#### SCSI Controllers

Smart Array 6i 128MB Battery-Backed Write Cache Enabler Option Kit 346914-B21

**NOTE:** This Battery-Backed Write Cache Enabler Option Kit is for the integrated Smart Array 6i Controller. This BBWC ships standard on 2P Model with 3.33GHz/8MB processors.

Smart Array 6402/128 Controller 273915-B21

Smart Array 6404/256 Controller 273914-B21

Smart Array 641 Controller 291966-B21

Smart Array 642 Controller 291967-B21

128MB Battery-Backed Cache Enabler 351580-B21

**NOTE:** This 128MB BBWC supports the Smart Array 641 Controller and Smart Array 642 Controller.

### Options

DL580 G3 Cable Assembly, SCSI, Ultra3, LVDS 288874-B21

**NOTE:** All HP ProLiant DL580 G3 models ship standard with the integrated Smart Array 6i Controller, which has been designed to deliver maximum performance and availability across the internal SCSI Duplex backplane.

- The Ultra3 SCSI cable is required only if the customer chooses to bypass the Smart Array 6i Controller and connect slot-based SCSI adapters or RAID controllers to the internal SCSI Duplex backplane.
- Two cables are required to maintain the standard, duplexed configuration of the backplane. One cable is required if the simplex configuration is chosen.

The backplane is easily configured to simplex mode by means of a simple switch (duplex to simplex) located on the top of the backplane itself.

64-Bit/133-MHz Dual Channel Ultra320 SCSI Adapter 268351-B21

Ultra320 Expansion Module for SA-6402 273911-B21

**NOTE:** Please see the following Controller or SCSI Adapter QuickSpecs for Technical Specifications such as PCI Bus, PCI Peak Data Transfer Rate, SCSI Protocols supported, SCSI Peak Data Transfer Rate, Channels, SCSI Ports, Drives supported, Cache, RAID support, and additional information:

[http://h18000.www1.hp.com/products/quickspecs/12030\\_div/12030\\_div.HTML](http://h18000.www1.hp.com/products/quickspecs/12030_div/12030_div.HTML)  
(Smart Array 6i)

[http://h18000.www1.hp.com/products/quickspecs/11587\\_div/11587\\_div.HTML](http://h18000.www1.hp.com/products/quickspecs/11587_div/11587_div.HTML)  
(Smart Array 6400 Series)

[http://h18000.www1.hp.com/products/quickspecs/12067\\_div/12067\\_div.HTML](http://h18000.www1.hp.com/products/quickspecs/12067_div/12067_div.HTML)  
(Smart Array 641)

[http://h18000.www1.hp.com/products/quickspecs/12069\\_div/12069\\_div.HTML](http://h18000.www1.hp.com/products/quickspecs/12069_div/12069_div.HTML)  
(Smart Array 642)

[http://h18000.www1.hp.com/products/quickspecs/10429\\_div/10429\\_div.HTML](http://h18000.www1.hp.com/products/quickspecs/10429_div/10429_div.HTML)  
(SCSI Adapter)

[http://h18000.www1.hp.com/products/quickspecs/11555\\_div/11555\\_div.HTML](http://h18000.www1.hp.com/products/quickspecs/11555_div/11555_div.HTML)  
(U320 Adapter)

### Communications

HP NC150T PCI 4-port Gigabit 1000T Combo Switch Adapter 367132-B21

HP NC310F PCI-X 1000SX Gigabit Server Adapter 368169-B21

HP NC320T PCI Express 1000T Gigabit Server Adapter 367047-B21

HP NC340T PCI-X 4-port 1000T Gigabit Server Adapter 391661-B21

HP NC370F PCI-X Multifunction 1000SX Gigabit Server Adapter 374193-B22

HP NC370T PCI-X Multifunction 1000T Gigabit Server Adapter 374191-B22

HP NC373F PCI Express Multifunction Gigabit Server Adapter 394793-B21

HP NC380T PCI Express Dual Port Multifunction Gigabit Server Adapter 394795-B21

HP NC1020 PCI 1000T Gigabit Server Adapter 353377-B21

HP NC7170 PCI-X Dual Port 1000T Gigabit Server Adapter 313881-B21

HP NC7771 PCI-X 1000T Gigabit Server Adapter 290563-B21

**NOTE:** A minimum of 1 GB of memory per port is required for NC370x adapters, with a maximum of two NC370x ports permitted in a server.

**NOTE:** Any network adapter (NIC), except the NC1020, on the option list can be used for redundancy with the embedded NC7782 NIC. When teaming with other NICs or with the embedded NIC, the lack of Jumbo Frames and LSO features on the NC1020 will cause high end NICs to have those features disabled. (e.g. incompatibility issues with the other option NICs for that platform).

HP NC571C PCI Express Dual-port 4x Fabric Adapter 376160-B21

### Options

HP 24-Port 4x Fabric Copper Switch	376227-B21
HP 4x Fabric 1m Copper Cable	376232-B21
HP 4x Fabric 3m Copper Cable	376232-B22
HP 4x Fabric 5m Copper Cable	376232-B23

---

<b>Redundant Options</b>	910W (low line), 1300W (high line) Hot Plug Redundant Power Supply US <b>NOTE:</b> Includes Nema 5-15P to IEC320-C19.	348114-001
	910W (low line), 1300W (high line) Hot Plug Redundant Power Supply <b>NOTE:</b> Includes C14 to C19 IEC cable.	348114-B21

---

### Tape Drives

**NOTE:** For a complete listing of HP Tape Drive offerings supported with the HP ProLiant DL580 G3, please see:

<http://www.hp.com/products1/storage/compatibility/tapebackup/ISS/index.html>

**NOTE:** The following tape drives are recommended for use with the HP ProLiant DL580 G3.

#### Hot Plug Tape Drives

HP StorageWorks DAT 72 SCSI Hot-plug Tape Drive (Carbon) Q1529A

#### USB Tape Drives

HP StorageWorks DAT 72 USB External Tape Drive (Carbonite) DW027A

#### Ultrium Tape Drives - External, Rack-Mount and Array

HP StorageWorks Ultrium 232 External Tape Drive (Carbonite) DW065B

HP StorageWorks Ultrium 448 External Tape Drive (Carbonite) DW017B

HP StorageWorks Ultrium 460 External Tape Drive (Carbon) Q1520A

HP StorageWorks 3U Rack-mount kit with one Ultrium 460 (Carbon) 350546-B21

**NOTE:** Please see the HP StorageWorks Ultrium Tape Drive QuickSpecs for additional options such as controllers, media, and other related items:

[http://h18006.www1.hp.com/products/quickspecs/11739\\_div/11739\\_div.html](http://h18006.www1.hp.com/products/quickspecs/11739_div/11739_div.html)  
(Worldwide)

[http://h18006.www1.hp.com/products/quickspecs/12128\\_div/12128\\_div.html](http://h18006.www1.hp.com/products/quickspecs/12128_div/12128_div.html)  
(Worldwide)

For an up-to-date listing of the latest O/S and software support details for HP Ultrium tape drives, please visit: <http://www.hp.com/go/connect>

#### Rack-Mount Tape Drive Enclosures

HP StorageWorks 1U Rack-Mount Kit A7445A

**NOTE:** The 1U Rack-mount Kit can support up to (2) half-height tape drives and compatible with multiple Single-Ended and LVD SCSI tape drives including the DAT 24, DAT 40, DAT 72, DLT VS80, DLT VS160, Ultrium 215, Ultrium 232 and Ultrium 448 tape drives.

HP StorageWorks 1U USB Rack-Mount Kit A8007A

1U USB Cable Option Kit 396114-B21

**NOTE:** Converts a 1U SCSI rack-mount kit to a USB interface to support the USB tape drives.

### Options

HP StorageWorks 3U Rack-Mount Kit

274338-B22

**NOTE:** The 3U Rack-mount Kit can support up to (2) full-height or (4) half-height tape drives and compatible with multiple Single-Ended and LVD SCSI tape drives including DAT 24, DAT 40, DAT 72, DLT VS80, DLT VS160, SDLT 320, SDLT 600, Ultrium 215, Ultrium 230, Ultrium 232, Ultrium 460, Ultrium 448 and Ultrium 960 tape drives.

**NOTE:** Please see the Rack-Mount Tape Drive Kits QuickSpecs for additional information regarding these kits:

[http://h18000.www1.hp.com/products/quickspecs/10854\\_div/10854\\_div.HTML](http://h18000.www1.hp.com/products/quickspecs/10854_div/10854_div.HTML)  
(Worldwide)

#### Tape Autoloaders

##### HP StorageWorks 1/8 Tape Autoloader

HP StorageWorks 1/8 Ultrium 960 Tape Autoloader AF204A

HP StorageWorks 1/8 Ultrium 448 Tape Autoloader AF203A

HP StorageWorks 1/8 Ultrium 232 Tape Autoloader AF202A

1/8 Tape Autoloader Rackmount Kit C9268R

**NOTE:** Required to install the 1/8 tape autoloader in a standard 19-inch rack

**NOTE:** Please reference the 1/8 Tape Autoloader QuickSpecs at <http://www.hp.com/go/automation> for additional information needed to create a complete solution; reference current compatibility information at <http://www.hp.com/go/ebs>

#### Tape Libraries

##### HP StorageWorks MSL2024 Tape Library

HP StorageWorks MSL2024 1 Ultrium 960 Drive Library AG115A

HP StorageWorks MSL2024 1 Ultrium 448 Drive Library AG116A

HP StorageWorks MSL2024 2 Ultrium 448 Drive Library AG117A

##### HP StorageWorks MSL4048 Tape Library

HP StorageWorks MSL4048 1 Ultrium 448 Drive Library AG320A

HP StorageWorks MSL4048 2 Ultrium 448 Drive Library AG321A

HP StorageWorks MSL4048 1 Ultrium 960 Drive Library AG322A

HP StorageWorks MSL4048 2 Ultrium 960 Drive Library AG323A

##### HP StorageWorks MSL6000 Tape Library

###### Ultrium 960 technology

HP StorageWorks MSL6030 1 Ultrium 960 Dr LVDS Library AD606B

HP StorageWorks MSL6030 1 Ultrium 960 Dr FC Library AD608B

HP StorageWorks MSL6030 2 Ultrium 960 Dr LVDS Library AD607B

HP StorageWorks MSL6030 2 Ultrium 960 Dr FC Library AD609B

###### Ultrium 460 technology

HP StorageWorks MSL6030 1 Ultrium 460 Dr LVDS Library AD598B

HP StorageWorks MSL6030 1 Ultrium 460 Dr FC Library AD600B

HP StorageWorks MSL6030 2 Ultrium 460 Dr LVDS Library AD599B

HP StorageWorks MSL6030 2 Ultrium 460 Dr FC Library AD601B

### Options

**NOTE:** Please reference the MSL2024, MSL4048 and MSL6000 Tape Library QuickSpecs at <http://www.hp.com/go/automation> for additional information needed to create a complete solution; reference current compatibility information at <http://www.hp.com/go/ebs>.

<b>HP Data Protector Express Software</b>	HP DP Express Backup Server Upgrade for ProLiant Software	BB117AP
	HP DP Express Package for Microsoft Small Business Server	BB118AA

**NOTE:** Please see the HP Data Protector Express QuickSpecs for additional information regarding the purchase of HP Data Protector Express software: [http://h18000.www1.hp.com/products/quickspecs/12337\\_div/12337\\_div.html](http://h18000.www1.hp.com/products/quickspecs/12337_div/12337_div.html) (Worldwide)

**NOTE:** To obtain a free licensed copy of HP Data Protector Express for ProLiant edition software, please visit the "Protect Your Data" link accessible from your ProLiant server's System Management Homepage (SMH) software (SmartStart 7.5 or later).

<b>Cluster Options</b>	ProLiant Cluster Starter Kit	364023-B21
------------------------	------------------------------	------------

**NOTE:** For additional information regarding the ProLiant Cluster Starter Kit please see the following QuickSpecs at: [http://h18000.www1.hp.com/products/quickspecs/11935\\_div/11935\\_div.html](http://h18000.www1.hp.com/products/quickspecs/11935_div/11935_div.html) (Worldwide)

	HP HA/F200 for Entry SAN Cluster	364026-B22
	HP HA/F200 for Entry SAN Cluster (Japan)	364026-292

**NOTE:** For additional information regarding the ProLiant Cluster for Entry Level SAN please see the following QuickSpecs at: [http://h18000.www1.hp.com/products/quickspecs/11932\\_div/11932\\_div.html](http://h18000.www1.hp.com/products/quickspecs/11932_div/11932_div.html) (Worldwide)

	ProLiant Cluster HA/F500 for the Enterprise SAN	364024-B21
--	---	------------

**NOTE:** For additional information regarding the ProLiant Cluster HA/F500 for Enterprise SAN please see the following QuickSpecs at: [http://h18000.www1.hp.com/products/quickspecs/11933\\_div/11933\\_div.html](http://h18000.www1.hp.com/products/quickspecs/11933_div/11933_div.html) (Worldwide)

	HP Serviceguard for Linux ProLiant Cluster A.11.16 for SUSE SLES 9 and Red Hat EL 3 & 4 (2 node license cluster kit)	305199-B26
	HP Serviceguard for Linux A.11.16 for SUSE SLES9 and Red Hat EL 3 & 4 (single license version)	307754-B26

	HP Serviceguard for Linux and Red Hat Global File System - 1 year subscription	T2798AA#001
	HP Serviceguard for Linux and Red Hat Global File System - 3 years subscription	T2798AA#003

**NOTE:** For additional information regarding the HP Serviceguard for Linux License, please see the following QuickSpecs at: [http://h18000.www1.hp.com/products/quickspecs/11518\\_div/11518\\_div.html](http://h18000.www1.hp.com/products/quickspecs/11518_div/11518_div.html) (Worldwide)

**NOTE:** For configuration/certification options for the HP Parallel Database Cluster for Oracle RAC please go to: <http://www.hp.com/solutions/highavailability/oracle>

### Options

HP StorageWorks Modular Smart Array 20	HP StorageWorks Modular Smart Array 20 <b>NOTE:</b> Rack-mountable 12 (SATA) drive enclosure with U320 Host connectivity, redundant power supplies. HP StorageWorks Modular Smart Array 20 Starter Kit <b>NOTE:</b> Rack-mountable 12 (SATA) drive enclosure with U320 Host connectivity, redundant power supplies. Includes Smart Array 6402/128 Controller. <b>NOTE:</b> The Modular Smart Array Enclosure 20 Family supports the SATA 1.5Gb/s 3.5" Hot Plug Hard Drives.	335921-B21  366172-B21
HP StorageWorks Modular Smart Array 30	HP StorageWorks Modular Smart Array 30 SB <b>NOTE:</b> Rack-mountable 14 drive enclosure with single bus, redundant power supplies HP StorageWorks Modular Smart Array 30 DB <b>NOTE:</b> Rack-mountable 14 drive enclosure with dual bus, redundant power supplies <b>NOTE:</b> The Modular Smart Array Enclosure 30 Family supports the Wide Ultra3, Ultra320 Hot Plug Hard Drives.	302969-B21  302970-B21
HP StorageWorks Modular Smart Array 50	HP StorageWorks Modular Smart Array 50 Enclosure <b>NOTE:</b> Please see the Modular Smart Array 50 QuickSpecs for additional options and configuration information at <a href="http://h18000.www1.hp.com/products/quickspecs/12245_div/12245_div.HTML">http://h18000.www1.hp.com/products/quickspecs/12245_div/12245_div.HTML</a> (Worldwide)	364430-B21
HP StorageWorks Modular Smart Array 500	HP StorageWorks Modular Smart Array 500 Generation 2 <b>NOTE:</b> Please see the Modular Smart Array 500 Generation 2 QuickSpecs for additional information including configuration steps and additional options needed for a complete solution at: <a href="http://h18000.www1.hp.com/products/quickspecs/11956_div/11956_div.HTML">http://h18000.www1.hp.com/products/quickspecs/11956_div/11956_div.HTML</a> (Worldwide)	335880-B21
HP StorageWorks Modular Smart Array 1000	HP StorageWorks Modular Smart Array 1000 <b>NOTE:</b> Please see the Modular Smart Array 1000 QuickSpecs for additional options and configuration information at: <a href="http://h18000.www1.hp.com/products/quickspecs/11033_div/11033_div.HTML">http://h18000.www1.hp.com/products/quickspecs/11033_div/11033_div.HTML</a> (Worldwide)	201723-B22
HP StorageWorks Modular Smart Array 1500 cs	Modular Smart Array 1500 Controller Shelf <b>NOTE:</b> Please see the StorageWorks Modular SAN Array 1500 cs QuickSpecs for additional options and configuration information at: <a href="http://www.hp.com/go/MSA1500cs">http://www.hp.com/go/MSA1500cs</a>	AA986A

### Options

#### StorageWorks Options

**NOTE:** For the complete listing of Fibre Channel Host Bus Adapters for Windows 2000, Windows Server 2003 and Linux, please see:

<http://h18006.www1.hp.com/storage/saninfrastructure/hba.html>

StorageWorks 2 Gb, 64-bit/133 MHz PCI-X-to-Fibre Channel Host Bus Adapter for Windows, Linux and Netware	281541-B21
StorageWorks 2 Gb, Dual Port, 64-Bit/133 MHz PCI-X-to-Fibre Channel Host Bus Adapter Windows, Linux and Netware	321835-B21
HP StorageWorks 2 Gb, single channel, 133 MHz PCI-X-to-Fibre Channel Host Bus Adapter Windows and Linux	A7388A
HP StorageWorks 2 Gb, dual channel, 133 MHz PCI-X-to-Fibre Channel Host Bus Adapter Windows and Linux	A7387A
HP StorageWorks FC2142SR 4Gb PCI-E HBA for Windows and Linux	A8002A
HP StorageWorks FC2242SR Dual Channel 4 Gb PCI-E HBA for Windows and Linux	A8003A
HP StorageWorks FC1142SR 4Gb PCI-E HBA for Windows and Linux	AE311A
HP StorageWorks FC1242SR Dual Channel 4 Gb PCI-E HBA for Windows and Linux	AE312A
HP StorageWorks FC2143 4Gb PCI-X 2.0 HBA for Windows and Linux	AD167A
HP StorageWorks FC2243 4Gb PCI-X 2.0 DC HBA for Windows and Linux	AD168A

#### Uninterruptible Power Systems – Rack

HP UPS R1500 XR (1440VA, 1340 Watt), Low Voltage (NA)	204404-001
HP UPS R1500 XR (1500VA, 1340 Watt), High Voltage (Int'l)	204404-B31
HP UPS R1500 XR (1500VA, 1340 Watt), Low Voltage (Japan)	204404-291
HP UPS R3000 XR (2880VA, 2700 Watt), Low Voltage (NA)	192186-001
HP UPS R3000 XR (3000VA, 2700 Watt), High Voltage (NA)	192186-002
HP UPS R3000 XR (2400VA, 2250 Watt), Low Voltage (Japan)	192186-291
HP UPS R3000 XR (3000VA, 2700 Watt), High Voltage (Japan)	192186-292
HP UPS R3000 XR (3000VA, 2700 Watt), High Voltage (Int'l - detachable cord)	192186-B31
HP UPS R3000 XR (3000VA, 2700 Watt), High Voltage (16A IEC309 Plug)	192186-B32
HP UPS R3000 XR (3000VA, 2700 Watt), High Voltage (16A CEE 7/7 SCHUKO Plug)	192186-B33
HP UPS R3000 XR (3000VA, 2700 Watt), High Voltage (16A BS-546 Plug)	192186-AR1
HP R3000 VA UPS, 2U, DTC, INTL	AF414A
<b>NOTE:</b> Replaces non-RoHs compliant part numbers 192186-B31, 192186-B32, 192186-B33, 192186-AR1.	
HP R3000 VA UPS, 2U, L5-30, NA	AF422A
<b>NOTE:</b> Replaces non-RoHs compliant part number 192186-001.	
HP R3000 VA UPS, 2U, L6-20, NA	AF423A
<b>NOTE:</b> Replaces non-RoHs compliant part number 192186-002.	
HP R3000 VA UPS, 2U, L6-20, JPN	AF424A
<b>NOTE:</b> Replaces non-RoHs compliant part number 192186-292.	
HP R3000 VA UPS, 2U, L5-30, JPN	AF425A
<b>NOTE:</b> Replaces non-RoHs compliant part number 192186-291.	
HP UPS R5500 XR, (5000VA, 4500 Watt), High Voltage (NA/Jpn)	326529-D71
HP UPS R5500 XR, (6000VA, 5400 Watt), High Voltage (Int'l)	326529-B31
HP R5500 VA UPS, INTL	AF416A
<b>NOTE:</b> Replaces non-RoHs compliant part number 326529-B31.	



### Options

HP R5500 VA UPS, NA/JPN	AF426A
<b>NOTE:</b> Replaces non-RoHs compliant part number 326529-D71.	
HP UPS R12000 XR N+x (200-240V) (WW-hardwired)	207552-B22
<b>NOTE:</b> The UPS R12000 XR has a hardwired input and output; requires a 100A circuit.	

<b>HP Monitored Power Distribution Unit (PDU)</b>	<b>HP Monitored Power Distribution Unit: Full Rack Version</b>	
	HP 17.3 kVA S2324 Monitored PDU- dual input, 3-phase, 24A (NA/JPN)	370959-D71
	HP 8.3 kVA S1324 Monitored PDU- single input, 3-phase, 24A (NA/JPN)	370960-D71
	HP 16.6 kVA S2140 Monitored PDU- dual input, 1-phase, 40A (NA/JPN)	370961-D71
	HP 8.6 S1140 Monitored PDU- single input, 1-phase, 40A (NA/JPN)	370962-D71
	HP 22.1 kVA S2316 Monitored PDU- dual input, 3-phase, 16A (INTL)	370963-B31
	HP 11 kVA S 1316 Monitored PDU- single input, 3-phase, 16A (INTL)	370964-B31
	HP 14.7 kVA S2132 Monitored PDU- dual input, 1-phase, 32A (INTL)	370965-B31
	HP 7.4 kVA S1132 Monitored PDU- single input, 1-phase, 32A (INTL)	370966-B31
	<b>HP Monitored Power Distribution Unit: Half Rack Version</b>	
	HP 17.3 kVA S348 Monitored PDU- single input, 3-phase, 60A (NA/JPN)	AF916A
	HP 22 kVA S332 Monitored PDU- single input, 3-phase, 32A (INTL)	AF917A

<b>Modular Power Distribution Units 1U/0U</b> (Up to 32 outlets) <b>NOTE:</b> 1U/0U mounting brackets shipped with the unit (optimized for 10000 and 9000 series racks).	Modular Power Distribution Units (mPDU), High Volt Model, 16A (200-240 VAC) (WW)	252663-B24
	<b>NOTE:</b> This model has a detachable input power cord and is adaptable to country specific requirements. The 16A PDU also connects to the high volt models of the UPS R3000 XR and R6000 models. Cable P/N 340653-001 required if connecting to UPS R3000 XR (192186-002 NA -High Volt model only).	
	Modular Power Distribution Units (mPDU), Low Volt Model, 24A (100-127 VAC) (NA, Japan)	252663-D71
	<b>NOTE:</b> This model has a detachable input power cord and is adaptable to country specific requirements. The 16A PDU also connects to the high volt models of the UPS R3000 XR and R6000 models. Cable P/N 340653-001 required if connecting to UPS R3000 XR (192186-002 NA -High Volt model only).	
	Modular Power Distribution Units (mPDU), High Volt Model, 24A (200-240 VAC) (NA, Japan)	252663-D72
	<b>NOTE:</b> L6-30 input.	
	Modular Power Distribution Units (mPDU), High Volt Model, 32A (200-240 VAC) (Int'l)	252663-B31
	Modular Power Distribution Units (mPDU), High Volt Model, 40A (200-240 VAC) (WW)	252663-B21
	<b>NOTE:</b> The 40A model has a hardwired input.	
	<b>NOTE:</b> Please see the following Modular Power Distribution Unit (Zero-U/1U Modular PDUs) QuickSpecs for additional options including cables: <a href="http://h18000.www1.hp.com/products/quickspecs/11041_div/11041_div.HTML">http://h18000.www1.hp.com/products/quickspecs/11041_div/11041_div.HTML</a> (Worldwide)	
Modular Power Distribution Units (mPDU), High Volt Model, 32A (200-240 VAC) (Int'l)	252663-B31	

### Options

USB Options	USB 2-Button Optical Scroll Mouse (Carbonite/Silver)	DC172B
	USB 1.44-MB External Diskette Drive (Carbonite)	DC141B

Telco Rack Support	DL580 G3 Telco Rack Kit: <b>NOTE:</b> Support for all 2-post Telco racks requires the use of the standard rack kit and an additional option kit from Rack Solutions ( <a href="http://www.racksolutions.com/hp/">http://www.racksolutions.com/hp/</a> )	
	Rack Adapter Kit <b>NOTE:</b> This kit allows HP rack servers to fit in racks that are 24" wide.	332815-B21

HP Rack 5000 Series (Graphite Metallic)	HP 5642 Rack-Unassembled	358254-B21
	<b>NOTE:</b> Please see the HP Rack 5642 QuickSpecs for additional part numbers and Technical Specifications such as height, width, depth, weight, and color: <a href="http://h18000.www1.hp.com/products/quickspecs/12074_div/12074_div.HTML">http://h18000.www1.hp.com/products/quickspecs/12074_div/12074_div.HTML</a> (Worldwide) <b>NOTE:</b> For additional information regarding Rack Cabinets, please see the following URL: <a href="http://www.hp.com/go/rackandpower">www.hp.com/go/rackandpower</a> .	

HP Rack 10000 G2 Series (Carbon/Graphite Metallic)	10642 G2 (42U) Rack Cabinet - Pallet	AF001A
	10642 G2 (42U) Rack Cabinet - Shock Pallet	AF002A
	10642 G2 (42U) Rack Cabinet - Crated	AF003A
	10642 G2 (42U) Rack Cabinet, with Extension - Shock Pallet	AF004A
	10642 G2 (42U) Rack Cabinet, without door - Shock Pallet	AF005A
	10642 G2 (42U) Rack Cabinet - with Extension, without door - Shock Pallet	AF006A
	10636 G2 (36U) Rack Cabinet - Pallet	AF011A
	10636 G2 (36U) Rack Cabinet - Shock Pallet	AF012A
	10636 G2 (36U) Rack Cabinet - Crated	AF013A
	10636 G2 (36U) Rack Cabinet , with Extension - Shock Pallet	AF014A
	10636 G2 (36U) Rack Cabinet, without door - Shock Pallet	AF015A
	10636 G2 (36U) Rack Cabinet, with Extension, without door - Shock Pallet	AF016A
	<b>NOTE:</b> It is mandatory to use a shock pallet when shipping racks with equipment installed.	
	<b>NOTE:</b> Please see the Rack 10000 G2 QuickSpecs for Technical Specifications such as height, width, depth, weight, and color: <a href="http://h18000.www1.hp.com/products/quickspecs/12402_div/12402_div.HTML">http://h18000.www1.hp.com/products/quickspecs/12402_div/12402_div.HTML</a> (Worldwide) <b>NOTE:</b> For additional information regarding Rack Cabinets, please see the following URL: <a href="http://www.hp.com/go/rackandpower">http://www.hp.com/go/rackandpower</a> .	

### Options

HP Rack 10000 Series (Graphite Metallic)	10642 (42U) Infrastructure Rack (Low Voltage)	379006-001
	10642 (42U) Infrastructure Rack (High Voltage)	379005-001
	HP Rack S10614 (14U) Rack Cabinet – Shock Pallet	292302-B22
	HP Rack 10842 (42U, 800mm wide) – Pallet	257415-B21
	HP Rack 10842 (42U, 800mm wide) – Shock Pallet	257415-B22
	HP Rack 10647 (47U) – Pallet	245160-B21
	HP Rack 10647 (47U) – Crated	245160-B23
	HP Rack 10642 (42U) – Pallet	245161-B21
	HP Rack 10642 (42U) – Shock Pallet	245161-B22
	HP Rack 10642 (42U) – Crated	245161-B23
	HP Rack 10636 (36U) – Pallet	245162-B21
	HP Rack 10636 (36U) – Shock Pallet	245162-B22
	HP Rack 10636 (36U) – Crated	245162-B23
	HP Rack 10622 (22U) – Pallet	245163-B21
	HP Rack 10622 (22U) – Shock Pallet	245163-B22
	HP Rack 10622 (22U) – Crated	245163-B23

**NOTE:** xxxxx-B21 (pallet) used to ship empty racks shipped on a truck. -B22 (shock pallet) used to ship racks with equipment installed (by custom systems, VARs and Channels). xxxxx-B23 (crated) used for air shipments of empty racks.

**NOTE:** Please see the Rack 10000 QuickSpecs for Technical Specifications such as height, width, depth, weight, and color:

[http://h18000.www1.hp.com/products/quickspecs/10995\\_div/10995\\_div.HTML](http://h18000.www1.hp.com/products/quickspecs/10995_div/10995_div.HTML)  
(Worldwide)

**NOTE:** For additional information regarding Rack Cabinets, please see the following URL: <http://www.hp.com/go/rackandpower>.

Keyboards and Monitors	TFT7210R Rack Mounted 17" Monitor	348373-B21
	<b>NOTE:</b> For a complete list of Monitors please view the following URL: <a href="http://www.hp.com/go/kvm">http://www.hp.com/go/kvm</a> .	
	TFT7600 Rackmount Keyboard Monitor US	AG052A
	TFT7600 Rackmount Keyboard Monitor UK	AG053A
	TFT7600 Rackmount Keyboard Monitor GR	AG054A
	TFT7600 Rackmount Keyboard Monitor FR	AG055A
	TFT7600 Rackmount Keyboard Monitor IT	AG056A
	TFT7600 Rackmount Keyboard Monitor SP	AG057A
	TFT7600 Rackmount Keyboard Monitor DEN	AG058A
	TFT7600 Rackmount Keyboard Monitor NOR	AG059A
	TFT7600 Rackmount Keyboard Monitor SE/FI	AG060A
	TFT7600 Rackmount Keyboard Monitor SWI	AG061A
	TFT7600 Rackmount Keyboard Monitor PORT	AG062A
	TFT7600 Rackmount Keyboard Monitor BEL	AG063A
	TFT7600 Rackmount Keyboard Monitor JPN2	AG064A
	TFT7600 Rackmount Keyboard Monitor RUS	AG065A
	TFT7600 Rackmount Keyboard Monitor INTL	AG066A

### Options

1U Rackmount Keyboard with USB, US	AG072A
1U Rackmount Keyboard with USB, UK	AG073A
1U Rackmount Keyboard with USB, GR	AG074A
1U Rackmount Keyboard with USB, FR	AG075A
1U Rackmount Keyboard with USB, ITL	AG076A
1U Rackmount Keyboard with USB, SP	AG077A
1U Rackmount Keyboard with USB, DEN	AG078A
1U Rackmount Keyboard with USB, NOR	AG079A
1U Rackmount Keyboard with USB, SE/FI	AG080A
1U Rackmount Keyboard with USB, SWI	AG081A
1U Rackmount Keyboard with USB, PORT	AG082A
1U Rackmount Keyboard with USB, BEL	AG083A
1U Rackmount Keyboard with USB, JPN2	AG084A
1U Rackmount Keyboard with USB, RUS	AG085A
1U Rackmount Keyboard with USB, INTL	AG086A

**NOTE:** For additional information regarding Rack Options, please see the following URL: <http://www.hp.com/go/rackandpower>.

<b>HP KVM Switch Options</b>	2x1x16 IP Console Switch with Virtual Media	AF601A
	4x1x16 IP Console Switch with Virtual Media	AF602A
	2x16 Server Console Switch with Virtual Media	AF600A
	PS/2 Virtual Media Interface Adapter, 1 pack	AF604A
	<b>NOTE:</b> Requires PS/2 and one USB port on server.	
	IP Console Switch Box (KVM/IP), 3 x 1 x 16	262586-B21
	IP Console Switch Box (KVM/IP), 1 x 1 x 16	262585-B21
	Server Console Switch (KVM), 0 x 1 x 8 port	336044-B21
	Server Console Switch (KVM), 0 x 2 x 16 port	336045-B21
	PS/2 Interface Adapter, 1 pack	262588-B21
	PS/2 Interface Adapter, 8 pack	262587-B21
	USB Interface Adapter, 1 pack	336047-B21
	Serial Interface adapter - 1 Pack with power supply	373035-B21
	<b>NOTE:</b> Cat5e cables are required to connect Interface Adapters to Console Switches. Cat5e cables can be found at the following URL: <a href="http://www.hp.com/go/kvm">http://www.hp.com/go/kvm</a> .	
	HP 1x 4 USB/PS2 KVM Switch, TT (NA/JPN)	371301-D71
	HP 1x 4 USB/PS2 KVM Switch, TT (AU/NZ)	371301-011
	HP 1x 4 USB/PS2 KVM Switch, TT (UK)	371301-031
HP 1x 4 USB/PS2 KVM Switch, TT (EU)	371301-A21	
HP 1x 4 USB/PS2 KVM Switch, RM (ALL)	371302-B21	
HP PS2 KVM Cable with audio, 6', 2-pack	371730-B21	
HP USB KVM Cable with audio, 6', 2-pack	371729-B21	

**NOTE:** For additional information regarding KVM switches, Serial Console servers, rack mount monitors, keyboards and all related options please see the following URL: <http://www.hp.com/go/kvm>.

### Options

HP Serial Console Server Options	HP 16 Port Serial Console Server (worldwide)	AF101A
	HP 48 Port Serial Console Server (worldwide)	AF102A
	Serial Adapter, RJ45-DB9 DCE Female, 1 Pack	AF103A
	Serial Adapter, RJ45-DB9 DCE Female, 8 Pack	AF110A

**NOTE:** Cat5e cables are required to connect Serial Adapters to Serial Console Servers. Additional Serial Adapters and Cat5e cables can be found at the following URL: <http://www.hp.com/go/kvm>.

**NOTE:** For additional information regarding KVM switches, Serial Console servers, rack mount monitors, keyboards and all related options please see the following URL: <http://www.hp.com/go/kvm>.

Service and Support Offerings (HP Care Pack Services)	<b>Hardware Services On-site Service</b>	
	4-Hour On-site Service, 5-Day x 13-Hour Coverage, 3 Years, Electronic	U4607E
	4-Hour On-site Service, 7-Day x 24-Hour Coverage, 3 Years, Electronic	U4608E
	<b>6-Hour Call to Repair, On-site Service 7-Day x 24-Hour Coverage, 3 Years (U.S. Part Number)</b>	
	6-Hour Call to Repair, On-site Service, 7-Day x 24-Hour Coverage, 3 Years, Electronic	U4609E
	<b>Installation &amp; Start-up Services</b>	
	Hardware Installation, Electronic	U4617E
	Installation & Start-Up of a ProLiant server and Microsoft or Linux O/S per the Customer Description and/or Data Sheet. To be delivered on a scheduled basis 8am-5pm, M-F, excl. HP holidays, Electronic	U4618E
	Installation and Startup for Essentials Rapid Deployment Pack, Electronic	U5683E
	<b>Support Plus</b>	
	Onsite HW support, 8am-9pm, M-F, 4hr response and Microsoft O/S SW Tech support offsite, onsite at HP's discretion, 8am-9pm, M-F 2hr response time excl. HP holidays, Electronic	U4619E
	<b>Support Plus 24</b>	
	Onsite HW support 24x7, 4hr response and Microsoft O/S SW Tech support offsite, onsite at HP's discretion, 24x7 2hr response time incl. HP holidays, Electronic	U4620E
	Onsite HW support 24x7, 4hr response and RedHat AS O/S SW Tech support offsite, onsite at HP's discretion, 24x7 2hr response time incl. HP holidays, Electronic	U9239E
Onsite HW support 24x7, 4hr response and SuSE O/S SW Tech support offsite, onsite at HP's discretion, 24x7 2hr response time incl. HP holidays, Electronic	U6316E	
<b>NOTE:</b> For more information, customer/resellers can contact: <a href="http://www.hp.com/services/carepack">http://www.hp.com/services/carepack</a>		

### Memory

#### HP ProLiant DL580 G3 2P Models including SAS Models

##### Standard Memory

2 GB 400MHz DDR-2 SDRAM (PC2-3200R Registered SDRAM Memory with Advanced ECC functionality)

##### Standard Memory Plus Optional Memory and Optional Memory Boards

Up to 58 GB of memory is available with the optional installation of PC2-3200R Registered SDRAM Memory kits and the use of all four optional memory boards.

##### Standard Memory Replaced with Optional Memory and Optional memory board

Up to 64 GB of memory is available with the removal of the standard 1 GB or 2 GB of memory, the optional installation of PC2-3200R Registered SDRAM Memory Kits and the use of all four optional memory boards.

**NOTE:** Memory must be added in banks of two DIMMS. This chart does not represent all possible memory configurations.

Additional requirements may apply to enable Advanced Memory Protection features.

Standard Memory		Standard Memory Board (Slots)			
Standard	2 GB	1	2	3	4
		1 GB	1 GB	Empty	Empty
Optional Memory Summary		Standard Memory Board (Slots)			
Optional (Standard Memory Plus Optional Memory Boards and Optional Memory)	58 GB	1	2	3	4
		1 GB	1 GB	4 GB	4 GB
		Optional Second Memory Board (Slots)			
		1	2	3	4
		4 GB	4 GB	4 GB	4 GB
		Optional Third Memory Board (Slots)			
		1	2	3	4
		4 GB	4 GB	4 GB	4 GB
		Optional Fourth Memory Board (Slots)			
		1	2	3	4
4 GB	4 GB	4 GB	4 GB		
Maximum Memory Summary		Standard Memory Board (Slots)			
Maximum (Standard Memory Replaced with Optional Memory with Optional Memory board)	64 GB	1	2	3	4
		4 GB	4 GB	4 GB	4 GB
		Optional Second Memory Board (Slots)			
		1	2	3	4
		4 GB	4 GB	4 GB	4 GB
		Optional Second Memory Board (Slots)			
		1	2	3	4
		4 GB	4 GB	4 GB	4 GB
		Optional Second Memory Board (Slots)			
		1	2	3	4
4 GB	4 GB	4 GB	4 GB		

### Memory

#### HP ProLiant DL580 G3 1P Models

##### Standard Memory

1 GB 400MHz DDR-2 SDRAM (PC2-3200R Registered SDRAM Memory with Advanced ECC functionality)

##### Standard Memory Plus Optional Memory and Optional Memory Boards

Up to 57 GB of memory is available with the optional installation of PC2-3200R Registered SDRAM Memory kits and the use of all four optional memory boards.

##### Standard Memory Replaced with Optional Memory and Optional memory board

Up to 64 GB of memory is available with the removal of the standard 1 GB or 2 GB of memory, the optional installation of PC2-3200R Registered SDRAM Memory Kits and the use of all four optional memory boards.

**NOTE:** Memory must be added in banks of two DIMMS. This chart does not represent all possible memory configurations. Additional requirements may apply regarding the configuration of single-rank/dual-rank DIMMs and to enable Advanced Memory Protection features.

Standard Memory		Standard Memory Board (Slots)			
Standard	1 GB	1	2	3	4
		512MB	512MB	Empty	Empty
Optional Memory Summary		Standard Memory Board (Slots)			
Optional (Standard Memory Plus Optional Memory Boards and Optional Memory)	57 GB	1	2	3	4
		512MB	512MB	4 GB	4 GB
		Optional Second Memory Board (Slots)			
		1	2	3	4
		4 GB	4 GB	4 GB	4 GB
		Optional Third Memory Board (Slots)			
		1	2	3	4
		4 GB	4 GB	4 GB	4 GB
		Optional Fourth Memory Board (Slots)			
		1	2	3	4
4 GB	4 GB	4 GB	4 GB		
Maximum Memory Summary		Standard Memory Board (Slots)			
Maximum (Standard Memory Replaced with Optional Memory with Optional Memory board)	64 GB	1	2	3	4
		4 GB	4 GB	4 GB	4 GB
		Optional Second Memory Board (Slots)			
		1	2	3	4
		4 GB	4 GB	4 GB	4 GB
		Optional Second Memory Board (Slots)			
		1	2	3	4
		4 GB	4 GB	4 GB	4 GB
		Optional Second Memory Board (Slots)			
		1	2	3	4
4 GB	4 GB	4 GB	4 GB		

### Memory

The following memory options are available from HP:

- 1 GB (2 x 512 MB 1RANK) PC2-3200R 400MHz DDR2 with Advanced ECC and online spare memory capabilities 343055-B21
- 2 GB (2 x 1 GB 1RANK) PC2-3200R 400MHz DDR2 with Advanced ECC and online spare memory capabilities 343056-B21
- 4 GB (2 x 2 GB 1RANK) PC2-3200R 400MHz DDR2 with Advanced ECC and online spare memory capabilities 343057-B21
- 4 GB (2 x 2 GB 2RANK) PC2-3200R 400MHz DDR2 with Advanced ECC and online spare memory capabilities 375004-B21
- 8 GB (2 x 4 GB 2RANK) PC2-3200R 400MHz DDR Option Kit with Advanced ECC and online spare memory capabilities 404122-B21

**NOTE:** Requires baffled Memory Board Replacement Cover- included in kit.

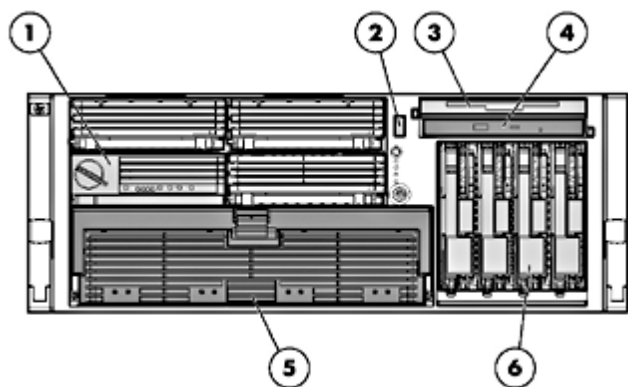
**NOTE:** The HP ProLiant DL580 G3 utilizes up to four Memory Boards that support up to four DIMMs each. These memory boards are Front accessible providing unsurpassed levels of memory protection as well as scalability and serviceability for the most memory-intensive applications.

**NOTE:** One Memory Board ships standard with all models.

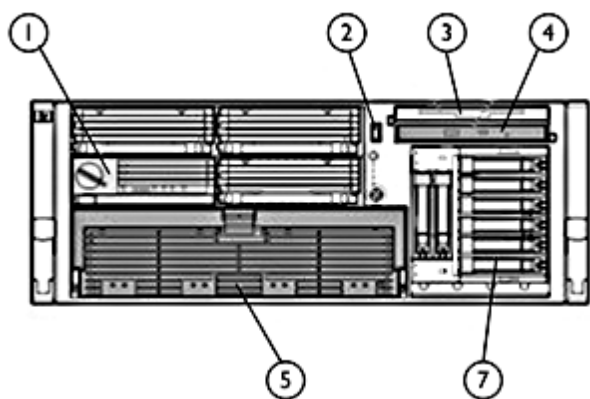
- DL580 G3 Memory Board 364639-B21



### Storage



- 1 Front-accessible DL580 G3 Memory Board, one standard, up to four configurable
- 2 Front-accessible USB 2.0 Port
- 3 Slimline 1.44-MB Diskette Drive (ejectable, optional)
- 4 Slimline DVD-ROM Drive (8X/24X) (ejectable, standard)
- 5 Front-accessible DL580 G3 Processor Board (allows front access to processors and Processor Power Modules)
- 6 Ultra320 Drive Cage (Duplex or Simplex configurable). Duplex is standard shipping configuration OR
- 7 8-Bay SAS/SATA Drive Cage. Supports up to 8 Small Form Factor (SFF) SAS or SATA Hot Plug Drives.



### Drive Support

	Quantity Supported	Position Supported	Controller
<b>Slimline Drives (ejectable)</b>			
1.44-MB Slimline Diskette Drive	Up to 2	3 or 4	Integrated
IDE slimline CD-ROM Drive	Up to 2	3 or 4	Integrated IDE
Slimline DVD-ROM Drive (8X/24X) Option Kit	Up to 2	3 or 4	Integrated IDE

**NOTE:** The HP ProLiant DL580 G3 can support a maximum of two Slimline drives (ejectable). Additional configuration settings may be required if running 2 Diskette Drives. When running 1 diskette drive, the top bay is the default location, but can be changed with additional configuration settings.

## Storage

### Hard Drives

#### Ultra320 Hot Pluggable Drives

	Quantity Supported	Position Supported	Controller
300GB U320 10K	Up to 4	6	Smart Array 6i Plus Controller (integrated on system board) Smart Array 6402/128 Controller Smart Array 641 Controller Smart Array 642 Controller 64-Bit/133-MHz Dual Channel Ultra320 SCSI Adapter
146.8GB U320 10K			
72.8GB U320 10K			
146.8GB U320 15K			
72.8GB U320 15K			
36.4GB U320 15K			

#### SFF SAS Hot Pluggable Drives

	Quantity Supported	Position Supported	Controller
72GB 3G SAS 10K	Up to 8	7	Smart Array P600 Controller
36GB 3G SAS 10K			

#### SFF SATA Hot Pluggable Drives

	Quantity Supported	Position Supported	Controller
60GB 1.5G SATA 5.4K	Up to 8	7	Smart Array P600 Controller

### External Storage

	Quantity Supported	Position Supported	Host Controller or Adapter
Modular Smart Array 30 Family	Up to 28	External	Smart Array 6402/128 Controller Smart Array 6404/256 Controller Smart Array 642 Controller 64-Bit/133-MHz Dual Channel Ultra320 SCSI Adapter
Modular Smart Array 50 Enclosure	Up to 14	External	Smart Array P600 Controller
Modular Smart Array 500 G2	<a href="#">Please see the Modular Smart Array 500 G2 QuickSpecs below to determine configuration requirements</a>	External	<a href="#">Please see the Modular Smart Array 500 G2 QuickSpecs (URL below) for the latest list of supported HBAs</a>

## Storage

Modular Smart Array 1000	Please see the <a href="#">Modular Smart Array 1000 QuickSpecs</a> below to determine configuration requirements	External	Please see the Modular Smart Array 1000 QuickSpecs (URL below) for the latest list of supported HBAs
Modular Smart Array 1500 cs	Please see the <a href="#">Modular Smart Array 1500 cs QuickSpecs</a> below to determine configuration requirements	External	Please see the Modular Smart Array 1500 cs QuickSpecs (URL below) for the latest list of supported HBAs

Modular Smart Array 500 G2:

[http://h18000.www1.hp.com/products/quickspecs/11956\\_div/11956\\_div.HTML](http://h18000.www1.hp.com/products/quickspecs/11956_div/11956_div.HTML)

Modular Smart Array 1000:

[http://h18000.www1.hp.com/products/quickspecs/11033\\_div/11033\\_div.HTML](http://h18000.www1.hp.com/products/quickspecs/11033_div/11033_div.HTML)

Modular Smart Array 1500 cs: <http://www.hp.com/go/MSA1500cs>

### Maximum Storage Capacity – (External Enclosure Attached)

Internal	1.20TB (4 x 300GB Ultra320 SCSI Drives)
External	117.60TB (28 x (14 x 300GB Ultra320 SCSI Drives))
Total	119.80TB

### Maximum Storage Capacity - (Using SAS internal with External SAS Enclosure Attached)

Internal	576GB (8 x 72GB SFF SAS Drives)
External	10.08TB (14 MSA50 Enclosures x 72GB SFF SAS Drives)
Total	15.94TB

### Tape Drives, Tape Autoloaders, & Tape Libraries

**NOTE:** For an up-to-date listing of the latest O/S Support details for each of the Tape Drives listed below, please see the following: <http://h18000.www1.hp.com/products/quickspecs/Division/10233.html> (Worldwide)

**NOTE:** For an up-to-date listing of the latest O/S Support details for each of the Tape Autoloaders and Tape Libraries listed below, please see the following: <http://h18000.www1.hp.com/products/quickspecs/Division/10809.html> (Worldwide)

**NOTE:** For complete listing of tape drive offerings see

<http://www.hp.com/products1/storage/compatibility/tapebackup/ISS/index.html>

For recommended tape drive offerings for this ProLiant server see the following:

	Quantity Supported	Position Supported	Controller
HP StorageWorks Tape Drives, Internal Hot Plug DAT 40 Hot Plug	Up to 1	6	Smart Array 6i Controller (integrated on system board)

## Storage

DAT 72 Hot Plug

**HP StorageWorks Tape Drives, External USB** Up to 1 External USB port  
 DAT 24 USB  
 DAT 40 USB  
 DAT 72 USB

**HP StorageWorks Tape Drives, External** 1 per SCSI channel External 64-Bit/133-MHz Dual Channel Ultra320 SCSI Adapter  
 64-Bit/133-MHz Single Channel Ultra320 SCSI HBA G2  
 DAT 40  
 DAT 72  
 Ultrium 232  
 Ultrium 230  
 Ultrium 448  
 Ultrium 460  
 DLT VS80  
 DLT VS160  
 SDLT 320

**HP StorageWorks Tape Drives, External** 1 per SCSI channel External 64-Bit/133-MHz Dual Channel Ultra320 SCSI Adapter  
 64-Bit/133-MHz Single Channel Ultra320 SCSI HBA G2  
 Ultrium 960  
 SDLT 600

**HP StorageWorks Rack-mount Tape Drive Enclosures** 1 per SCSI channel External 64-Bit/133-MHz Dual Channel Ultra320 SCSI Adapter  
 64-Bit/133-MHz Single Channel Ultra320 SCSI HBA G2  
 1U Rack-Mount Kit  
 3U Rack-Mount Kit  
 5U Rack-Mount Kit

**HP StorageWorks Autoloaders, External** 1 autoloader per SCSI channel External 64-Bit/133MHz Dual Channel Ultra320 SCSI Adapter  
 64-Bit/133-MHz Single Channel Ultra320 SCSI HBA G2  
 1/8 Tape Autoloader

**HP StorageWorks Tape Libraries, External** [Please reference the MSL Tape Library QuickSpecs to determine configuration requirements](#) External [Please consult the EBS connectivity matrix at http://www.hp.com/go/ebs for detailed connectivity information.](http://www.hp.com/go/ebs)  
 MSL2024 (Ultrium 448 and 960-based)  
 MSL4048 (Ultrium 448 and 960-based)  
 MSL6000 (Ultrium 960 and 460-based)  
 MSL6000 (SDLT 600-based)  
 MSL5026S2 (SDLT 320-based)  
 MSL5052S2 (SDLT 320-based)

### Power Specifications

Part Number	348114-001
Operational Input Voltage Range (V rms)	90 to 264
Frequency Range (Nominal) (Hz)	47 to 63 (50/60)

Nominal Input Voltage (Vrms)	100	115	208	220	230	240
Max Rated Output Wattage Rating	910	910	1300	1300	1300	1300
Nominal Input Current (A rms)	11.9	10.2	7.7	7.3	6.9	6.6
Max Rated Input Wattage Rating (Watts)	1163	1148	1566	1566	1548	1548
Max. Rated VA (Volt-Amp)	1186	1172	1598	1598	1579	1579
Efficiency (%)	80	81	83	83	84	84
Power Factor	0.98	0.98	0.98	0.98	0.98	0.98
Leakage Current (mA)	.43	.50	.90	.96	1.00	1.04
Maximum Inrush Current (A peak)	100	100	100	100	100	100
Maximum Inrush Current duration	10	10	10	10	10	10

- NOTES:**

To review typical system power ratings use the Active Answers Power Calculator which is available via the online tool located at URL: <http://h30099.www3.hp.com/configurator/powercalcs.asp>.

To drill down to calculators:

- o Click on: "ProLiant Servers"
- o Click on the Server of interest. Example: DL580 G3
- o Click on: "Power Calculator" link. (You may need to scroll down to see it)
- o There are certain dual-core, lowline, max configurations that are not supported. All highline configurations are supported. Consult the Power Calculator to determine if your lowline configuration is supported.

Standard Rack Model Power Cords / Jumper Cords	Description
Asia Pacific	IEC320-C14 to IEC320-C19 Jumper Cord
Europe	IEC320-C14 to IEC320-C19 Jumper Cord
Japan	JIS C8303 to IEC320-C19 IEC320-C14 to IEC320-C19 Jumper Cord
PRC	IEC320-C14 to IEC320-C19 Jumper Cord
USA	Nema 5-15P to IEC320-C19 IEC320-C14 to IEC320-C19 Jumper Cord

### Power Specifications

Optional Country Power Cords and Jumper Cords	Description	Option Kit Part Number
Australia/New Zealand	AS/NZS 3112 to IEC320-C19	305340-011
Denmark/Switzerland	IEC320-C19, Industrial	305340-081
Europe	CEE 7 to IEC320-C19	305340-021
Italy	IEC320-C19, Italy	305340-061
South Africa/India	IEC320-C19, SA	305340-AR1
UK	BS1363 to IEC320-C19	305340-031
US	Nema 5-15P to IEC320-C19	235603-001
US	Nema 6-20P to IEC320-C19	235604-001
US	Nema L6-20P to IEC320-C19, 20A, 250V, US	340653-001
WW	IEC320-C19 to IEC320-C14 Jumper (16A, IEC, 6 ft/2.0m)	313227-B21
WW	IEC320-C19 to IEC320-C14 Jumper (16A, IEC, 12ft/3.7m)	313228-B21
WW	IEC320-C19 to IEC320-C20 Jumper (16A, IEC, 8ft/2.5m)	295633-B22

### Technical Specifications

<b>System Unit Rack</b>	<b>Chassis Footprint</b> (HxWxD)	6.94 x 19 x 26.5 in (17.6 x 48.3 x 67.3 cm)		
	<b>Weight</b> No hard drives installed, one power supply	80 lb (36.3 kg)		
	<b>Input Requirements</b>	Rated Input Voltage	100 to 120 VAC/200 to 240 VAC	
		Rated Input Frequency	50 to 60 Hz	
		Input Power	1148W @ 115 VAC/1566W @ 220 VAC	
		Rated Input Current	12A (100 to 127 VAC), 8.0A (200 to 240 VAC)	
	<b>Max BTU Rating</b>	5457 BTU		
	<b>Power Supply Output</b> Power (per power supply)	Rated Steady-State Power	910W/1300W (lowline/highline)	
		Maximum Peak Power	910W/1300W (lowline/highline)	
	<b>Temperature Range</b>	Operating	50° to 95° F (10° to 35° C)	
		Non-operating	-20° to 140° F (-29° to 60° C)	
		Shipping	-22° to 122° F (-30° to 50° C)	
	<b>Relative Humidity</b> (non-condensing)	Operating	10% to 70%	
		Non-operating	5% to 95%	
<b>Maximum Wet Bulb Temperature</b>	101.7° F (38.7° C)			
<b>Acoustic Noise</b>	<b>NOTE:</b> Listed are the declared A-weighted sound power levels LWAd and the declared average bystander position sound pressure levels LpAm when operating in a 23° C ambient environment. Noise emissions were measured in accordance with ECMA 74 and declared in accordance with ECMA 109.			

Idle (Fixed Disk Drives Spinning)

L WAd (BELS)	7.8
L pAm (dBA)	60

**NOTE:** These values apply to 4U rack configuration. The configuration tested included 4 processors, 4 15,000 rpm hard drives, (also 8 SFF SAS hard drives), 2 power supplies, and 6 system fans.

### Technical Specifications

<b>24X Max (or higher) IDE CD-ROM Drive Slim Line</b>	<b>Disk</b>	Applicable Disk	CD-DA, CD-ROM (Mode 1 and 2) CD-XA, CD-I (Mode 2, Form 1 and 2) Photo CD (Single and Multi-session) Mixed Mode (Audio and Data combined)
		Capacity	540 MB (Mode 1, 12 cm) 650 MB (Mode 2, 12 cm)
		Diameter	4.7 x 3.15 in (12 x 8 cm)
		Rotational Speed	4200 rpm maximum
		Center Hole	0.6 in (15 mm) diameter
		Thickness	0.05 in (1.2 mm)
		Track Pitch	1.6 $\mu$ m
	<b>Block Size</b>	Mode 1	2,048
		Mode 2	2,340, 2,336, 1,024 bytes
		CD-DA	2,352 bytes
		CD-XA	2,328 bytes
	<b>Interface</b>	IDE (ATAPI)	
	<b>Access Times (typical)</b>	Random	100 ms
		Full-Stroke	2000 ms
	<b>Audio Output Level</b>	Line-Out	0.7 VRMS at 47 kOhms
	Headphone	0.6 VRMS at 32 kOhms (maximum volume)	
<b>Data Transfer Rate</b>	Sustained	150 KB/s (sustained 1X)	
	Burst	2100 to 3600 KB/s	
<b>Cache Buffer</b>	128 KB		
<b>Start-up Time (typical)</b>	< 7seconds		
<b>Stop Time</b>	< 4seconds		
<b>Laser Parameters</b>	Type	Semiconductor Laser GaAlAs	
	Wave Length	780 $\pm$ 25 nm	
	Divergence Angle	53.5 $^{\circ}$ $\pm$ 1.5 $^{\circ}$	
	Output Power	0.14 mW	
<b>Operating Conditions</b>	Temperature	41 $^{\circ}$ to 113 $^{\circ}$ F (5 $^{\circ}$ to 45 $^{\circ}$ C)	
	Humidity	10% to 80%	
<b>Dimensions</b>	(HxWxD, maximum)	1.69 x 5.75 x 8.19 in (4.29 x 15 x 20.8 cm)	
	Weight	2.66 lb (1.2 kg)	

**Slim Line CD-RW/DVD-ROM 24X Combo Drive (Multibay)**

**Shipping Dimensions**  
**Shipping Weight**  
**Disk**

13.88 x 11.38 x 9.25 in (35.26 x 28.91 x 23.50 cm)

5 lb (2.27 kg)

**Applicable Disk**

DVD-ROM  
DVD-R (Read Only)  
2.6 GB/side DVD-RAM (Read Only)  
5.2 GB/side DVD-RAM (Read Only)  
CD-ROM Mode-1 data disc  
CD-ROM Mode-2 data disc  
CD Audio disc



### Technical Specifications

		CD-Extra	
		CD-RW	
		CD-R	
		CD Text	
		PhotoCD	
		CD-I (mode 2)	
		CD-I Ready	
		CD-Bridge	
	Capacity	DVD-ROM	DVD-SL 4.7 GB/side
			DVD-DL 8.5 GB/side
			Double Sided 9.40 GB/side
		DVD-R	3.95 GB/side
		DVD-RAM	2.6 GB/side and 5.2 GB/
		CD-ROM	Mode-1 650 MB (550 MB)
			Mode-2 742 MB (640 MB)
	Block Size	DVD	2,048 bytes
		CD	2,352 (Mode-0)
			2352, 2340, 2336, 2048 bytes (Mode-1)
			2352, 2340, 2336, 2048 bytes (Mode-2)
	Diameter	120 mm (4.7 in), 80 mm (3.1 in)(with adapter at vertical mounting mode)	
<b>Loading Mechanism</b>	Tray type		
<b>Interface</b>	EIDE (ATAPI)		
<b>Access Times (typical)</b>	Random	DVD-ROM < 120 ms, CD-ROM < 110 ms	
	Full-Stroke	DVD-ROM < 240 ms, CD-ROM < 160 ms	
<b>Audio Output Level (typical)</b>	Line-out	CD 0.7 Vrms at 47 Kohms Load	
<b>Data Transfer Rate (sustained)</b>	DVD-ROM	Single Layer	10.8 MB/sec. Max.
	DVD-RAM	2.77 MB/sec. Max	
	CD-ROM	7.2 MB/sec. Max.	
<b>Cache Buffer</b>	2 MB		
<b>Spin-up Time (typical)</b>	less than 10 seconds		
<b>MTBF</b>	120,000 Power On Hours (POH)		
<b>Ambient Temperature</b>	Operating	-22° to 140° F (-30° to 60° C)	
<b>Relative Humidity</b>	Operating	10% to 80%	
	Storage/Transportation	5% to 95%	
<b>Dimensions</b>	(HxWxD, maximum)	0.5 x 5.04 x 5.1 in (12.7 x 128 x 129.4 mm)	
<b>Option Kit Contents</b>	DVD-ROM drive with installation guide, warranty card, registration card		

### Technical Specifications

---

<b>Integrated Lights-Out Standard (integrated on system board)</b>	<b>Architecture</b>	32-bit PCI-based health and remote management ASIC (Application Specific Integrated Circuit)
	<b>Processor</b>	32-bit RISC processor core running at 66 MHz
	<b>Upgradability</b>	Option firmware upgradable via flash ROM.
	<b>Video Support</b>	Utilizes the host server's embedded video chip. Supports VGA/SVGA, 640 x 480 (256 to 16.7M colors), 800 x 600 (256 to 16.7M colors), 1024 x 768 (256 to 65K colors), 1280 x 1024 (256 colors)
	<b>Interfaces</b>	One Ethernet network connection (10/100 Mb/s)
	<b>Memory</b>	2-MB Flash ROM 8-MB SDRAM
	<b>Operating System Support</b>	Microsoft Windows NT 4.0 Server Windows NT 4.0 Enterprise Edition Windows 2000 Server Windows 2000 Advanced Server Red Hat 7.x SuSE 7.0 Novell NetWare 5.x, 6.x
	<b>Client Browser Support</b>	Microsoft Internet Explorer 5.5 or later.
	<b>iLO Standard Features</b>	Virtual Text Remote Console Virtual Power Button Control Dedicated LAN Connectivity Secure access using web browser Secure access using Secure Shell (SSH) client Serial connectivity Automatic IP Configuration via DHCP/DNS/WINS Industry Standard 128-bit Secure Sockets Layer (SSL) Security IML and iLO Event Logging Support for up to 12 user accounts with customizable access privileges
	<b>iLO Advanced Features (optional)</b>	Virtual Graphical Remote Console Virtual Floppy drive Virtual CD-ROM drive Directory Integration Terminal Services Integration

---

## Technical Specifications

Smart Array 6i Controller (Ultra320), Integrated (SCSI models only)	Data Compatible with all Smart Array Controllers	Yes
	Instant Upgrades to other Smart Array Controllers	Yes
	Consistent Software Manageability Tools	Yes
	PCI-X Bus	64-bit, 100 MHz (integrated on system board)
	Electrical Protocol	Low Voltage Differential (LVD)
	SCSI Protocols Supported	Ultra320, Ultra3, Ultra2
	SCSI Peak Data Transfer Rate	320 MB/s per channel
	Channels	2
	SCSI Ports (external/internal)	2 Internal Only
	Logical Drives	Supports up to 32 RAID volumes
	Cache	64 MB Read Cache
	Battery-Backed Write Cache	Yes, with installation of Battery-Backed Write Cache Enabler, up to 128MB
	RAID Support	0, 1, 1+0, 5
	Online Configuration	Yes
	Online Capacity Expansion	Yes
	Logical Drive Capacity Extension	Yes
	Online Stripe Size Migration	Yes
	Online RAID Level Migration	Yes
	Online Spare Support	Yes
	Automatic Data Recovery	Yes
Drive Roaming	Yes	
Redundant Controllers	No	

### Technical Specifications

<b>Smart Array P600 Controller</b> (SAS models only)	<b>Disk Drive and Enclosure Protocol Support</b>	3 Gbps SAS (Serial Attached SCSI) 1.5 Gbps SATA (Serial AT Attachment)	
	<b>Architecture</b>	1.5 Gb SATA	
	<b>SAS Connectors</b>	1 internal SFF8484 & 1 external SFF8470 / internal SFF8484 shared x4 Wide SAS Ports 12 Gbps per x4 Wide SAS Port (4 x 3 Gbps)	
	<b>Data Transfer Method</b>	64-bit wide, PCI-X 133 MHz (1 GB/s maximum bandwidth)	
	<b>PCI Bus Speed</b>	PCI-X-133 and 3.3 volt PCI compatibility only	
	<b>Memory Bus Speed</b>	DDR-266 and 72 bit wide bus	
	<b>PCI</b>	64-bit, 133-MHz PCI-X (1 GB/s maximum bandwidth)	
	<b>Simultaneous Drive Transfer Ports</b>	PCI-X and 3.3 volt PCI compatibility only	
	<b>Port Transfer Rate</b>	2 x4 Wide SAS Ports	
	<b>Software upgradeable Firmware</b>	12 Gb/s per x4 Wide SAS Port (4 x 3 Gb/s)	
	<b>Cache Memory</b>	Yes	
	<b>Logical Drives Supported</b>	256 MB Read/Write (512-MB module upgrade available); ECC protection, battery-backed, and removable	
	<b>Maximum Capacity</b>	Up to 32 logical drives Up to 2.2 TB per logical drive	
	<b>Memory Addressing</b>	2.7 TB (38 x 72 GB) 64-bit, supporting servers memory greater than 4 GB	
	<b>RAID Support</b>	RAID 6 (Advanced Data Guarding) RAID 5 (Distributed Data Guarding) RAID 1+0 (Striping & Mirroring) RAID 0 (Striping)	
	<b>Upgradeable Firmware Disk Drive and Enclosure Protocol Support</b>	4-MB flashable ROM 3 Gb SAS and 1.5 Gb SATA	
	<b>NC7782 Dual Port PCI-X Gigabit NIC (embedded)</b>	<b>Network Interface Compatibility</b>	10Base-T/100Base-TX/1000Base-TX IEEE 802.3 10Base-T IEEE 802.3ab 1000Base-T IEEE 802.3u 100Base-TX
		<b>Data Transfer Method</b>	64-bit/133MHz PCI-X
		<b>Network Transfer Rate</b>	10Base-T (Half-Duplex) 10 Mb/s 10Base-T (Full-Duplex) 20 Mb/s 100Base-TX (Half-Duplex) 100 Mb/s 100Base-TX (Full-Duplex) 200 Mb/s 1000Base-TX (Half and Full-Duplex) 2000 Mb/s
		<b>Connector</b>	RJ-45
<b>Cable Support</b>		10Base-T Categories 3, 4, or 5 UTP; up to 328 ft (100 m) 100Base-TX Category 5 or higher UTP; up to 328 ft (100 m) 1000Base-TX Category 5 or higher UTP; up to 328 ft (100 m)	

## *Technical Specifications*

---

© Copyright 2006 Hewlett-Packard Development Company, L.P.

The information contained herein is subject to change without notice.

Microsoft and Windows NT are US registered trademarks of Microsoft Corporation. Intel is a US registered trademark of Intel Corporation. Unix is a registered trademark of The Open Group.

The only warranties for HP products and services are set forth in the express warranty statements accompanying such products and services. Nothing herein should be construed as constituting an additional warranty. HP shall not be liable for technical or editorial errors or omissions contained herein.

For hard drives, 1 GB = 1 billion bytes. Actual formatted capacity is less.