

HP vp6300 digital projector series



Deliver memorable presentations with this affordable, easy-to-use projector that offers excellent image quality and a superior lamp life. Enjoy greater peace of mind with extended warranty options. All warranties include the lamp module and protect your lamp up to six times longer than competitive warranty coverage.

Incredible value

- **Invest wisely.** The affordable, high-quality HP vp6300 digital projector series delivers incredible value to the classroom or conference room. With an amazingly low purchase price and ultra-low total cost of ownership, this series offers cost-effective replacement lamps and a superior lamp warranty.
- **Get an industry-leading warranty.** HP offers a one, two, or three-year warranty for the projector and lamp.¹ Choose a warranty to match your expected use and protect your investment for up to three years.
- **Benefit from HP's legendary quality and reliability.** The dependable projector is backed by HP's award-winning customer service. Fast, knowledgeable online e-support and easy-to-access phone support is available 24-hours-a-day, 7-days-a-week.

Predictable performance

- **Count on solid, long-lasting performance.** The projector's 4000-hour lamp lasts longer than the lamps of most other projectors. Combine this with an industry-leading lamp warranty, and you have a solid product that won't surprise you with hidden replacement costs.²
- **Experience authentic, vibrant, consistent colors.** Don't settle for inconsistent colors and projected images that fade over time. The HP vp6300 digital projector series uses industry-leading DLP™ technology, which ensures that colors look the same across the screen and that there is no fading or loss of quality for as long as you use the projector.

So easy to use and operate

- **Share and use effortlessly.** Whether you present every day or a few times a month, this series is easy to use and operate in any location. Simply connect the projector to a wide range of sources such as a computer, PDA, DVD, TV, or VHS.
- **Appreciate the innovative, compact design.** In the classroom or conference room, you will welcome the portability of the HP vp6300 digital projector series. With a convenient, integrated handle, moving this lightweight projector from room to room is an easy task that won't weigh you down. And the innovative, five-sided, industrial design gives you a unique, attractive companion while presenting.
- **Let your audience focus on your voice, not the sound of your projector.** The projector creates a minimal amount of operating noise, so viewers in an office or room of any size can enjoy presentations without having to strain to hear them.³
- **Get all of the AV inputs you'll ever need.** With the projector's multiple inputs, you can create powerful, lively, and memorable presentations that include a variety of source material. Connect any device with VGA, composite, S-video, USB, or audio outputs.
- **Enjoy a seamless presentation.** The HP vp6300 digital projector series comes with 1.2x manual zoom so that you can adjust the image to fit your screen perfectly. Using keystone correction, ensure that projected images are perfectly square and undistorted, for flawless presentations audiences will remember.

¹ Based on 1,000 lamp hours per year for each year of the warranty.

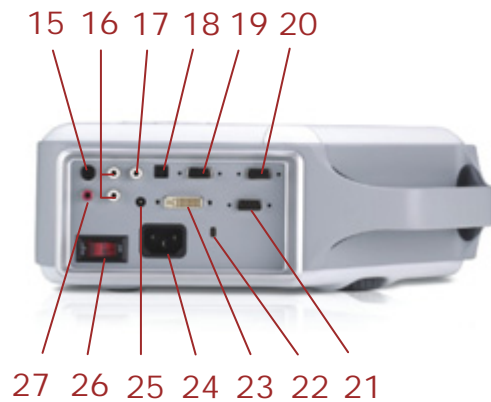
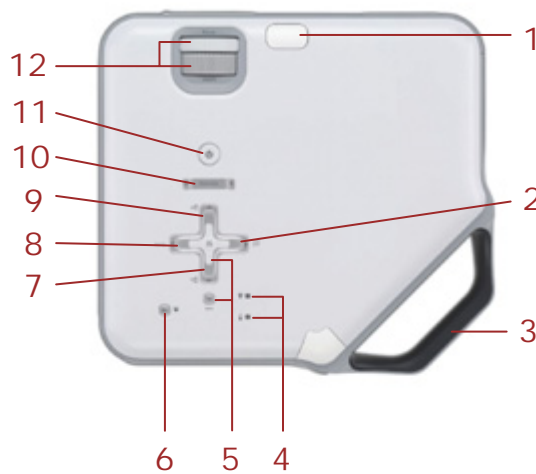
² Competitors' lamp warranties for versatile projectors of similar price were reviewed in January 2005.

³ Operating noise is 34 dB in lamp-saving mode and 36 dBA in standard mode.



HP vp6300 digital projector series

1. Infrared port and height adjustment button
2. Auto sync button
3. Integrated handle for security cable
4. Lamp and temperature warning light
5. Menu buttons
6. Picture button
7. Page-down button
8. Source button
9. Page-up button
10. Keystone adjustment
11. Power button
12. Focus and zoom rings
13. Lens cover
14. Lens
15. S-video connection
16. Audio in RCA connection
17. Audio-in phono plug
18. USB port
19. VGA-in port
20. VGA-out port
21. RS-232 port (not available on vp6310)
22. Lock slot (missing in photo, not available on vp6310)
23. DVI-D connection (not available on vp6310)
24. AC power
25. 12-Vdc output (not available on vp6310)
26. Power on/off
27. Composite connection
28. Wireless remote control with mouse function and batteries



HP vp6320 digital projector shown

Product highlights

- **Protect your investment.** The HP vp6320 digital projector includes a built-in slot to secure the projector with a cable and lock, similar to a Kensington MicroSaver lock system. Alternatively, the integrated handle allows you to loop a cable or bracket around the projector's handle to secure the projector in place. Set a password button sequence to further protect your projector from unauthorized use.
- **Create the perfect environment for your presentation.** Once your projector is set up, experience the convenience of RS-232 room control to quickly and easily manage the light conditions in the room from your projector. Effortlessly dim or brighten lights without interrupting your presentation. (RS-232 room control capability is not available on the HP vp6310 digital projector.)
- **Take complete command of your presentation.** Maintain amazing control over your presentation and focus your audience's attention with your remote control and an external monitor. Using the VGA output, you can run presentations from an external monitor, keeping an eye on both the presentation and your audience.
- **Enjoy the versatility.** If you don't plan to move the projector to different locations, you can easily mount it to the ceiling, rear wall, or tabletop, so the projector is secure and always ready to operate. Regardless of placement, this projector has an easy-access lamp module, making lamp replacement a simple task.

Deliver top-caliber presentations and dazzle your audience with the HP vp6300 digital projector series. This affordable, versatile, whisper-quiet series is easy to set up and operate anywhere.

Superb image quality

- **See it to believe it.** Attract your audience's attention with stunning image quality. Create vibrant, bright images with up to 2000 ANSI (max) lumens, ensuring visibility even in a partially or fully lit room.⁴ The HP vp6320 digital projector's sharp 2500:1 contrast ratio ensures the data and graphics presented are crisp and clear.
- **Enjoy superior resolution.** Whether projecting for a small, impromptu gathering or a large training meeting, your audience will always see crisp, sharp detail with either XGA or SVGA resolution.
- **Let the projector do the work for you.** Focus on your presentation and audience, not your equipment. The projector conveniently offers different modes for image optimization. Simply select the data, graphics, or video mode, and the projector automatically determines the optimal settings.

Cost-effective lamp with an industry-leading warranty

The projector's 4000-hour lamp life delivers outstanding performance with a longer life than competing projectors' lamps. Experience solid, predictable performance while eliminating hundreds of dollars in hidden costs associated with lamp replacement.

The HP vp6300 digital projector series boasts an attractive purchase price. A low total cost of ownership is achieved with cost-effective replacement lamps and an industry-leading lamp warranty that is up to six times longer than that of its competitors. Enhance your basic warranty coverage with a two- or three-year upgrade. And if you do ever need support, this reliable HP projector comes with 24-hours-a-day, 7-days-a-week HP phone, e-mail, and Web support.

Maximize your presentations with versatile accessories from HP



HP wireless IR remote control

L1586A

Confidently control your presentation with this wireless remote control with laser pointer.



HP carrying case

L1696A

Protect your digital projector from the rigors of travel and frequent use with this sturdy carrying case.



HP ceiling mount

L1703A

Easily mount your projector to the ceiling for permanent installation.



HP mobile 60-inch screen L1633A
HP presenter 50-inch screen L1671A

Give your audience the big picture whenever and wherever they want with a self-contained, easy-to-use mobile screen.



HP lamp module

L1695A

Prevent distracting interruptions during your presentation with this back-up lamp module.

⁴ The ANSI (max) lumens rating is based on ANSI/NAPM IT7 .228-1997 tests of 50 HP vp6320 units, in February 2005, with a projector mean ANSI lumens of 1812 and maximum ANSI lumens of 2004; tests of 50 mp6310 units, in February 2005, with a projector mean ANSI lumens of 1624 and maximum ANSI lumens of 1745. The ANSI (max) lumens specification is provided to enable customers to accurately compare HP digital projectors' lumens with the lumen ratings of other vendors. Lamp brightness will decline with use. Replacing the used lamp with a new factory lamp will restore the projector's output to its original brightness range.

HP vp6300 digital projector series

Technical specifications	HP vp6310 digital projector (L1686A)	HP vp6320 digital projector (L1687A)
Brightness	1,600 ANSI (max) lumens	2,000 ANSI (max) lumens
Resolution	True SVGA (800 × 600)	True XGA (1024 × 768)
Image contrast	2,000:1 full on/full off	2,500:1 full on/full off
Lamp life	4,000-hour average lamp life (to half of original brightness)	
Weight	7.7 lb	
Dimensions (w x d x h)	11.0 × 10.1 × 4.0 in.	
Optics		
Focus range	3 to 33 ft.	
Optical zoom	1.16:1	
Throw ratio (distance/width)	1.7 to 2.0	1.8 to 2.1
Offset (relative to half-height)	128 percent	125 percent
Display technology	Texas Instruments DLP™	
Scalable resolution	SXGA+, SXGA, XGA, SVGA, VGA, MAC	
Projector lens	f/2.4~2.6, f=24.3~29.2 mm; optical zoom, manual focus	
Keystone correction	Vertical, ±20%	
Light source	210-watt lamp; lamp saver mode reduces lamp power to 168 watts	
Audio	Monaural speaker, 6-watt peak output	
Video capability	NTSC 3.58 MHz and 4.43 MHz; PAL B, D, G, H, I, M, N; SECAM B, D, G, K, K1, L; HDTV (480i/p, 575i/p, 720p, 1080i); PC video up to SXGA	NTSC 3.58 MHz and 4.43 MHz; PAL B, D, G, H, I, M, N; SECAM B, D, G, K, K1, L; HDTV (480i/p, 575i/p, 720p, 1080i); DVI with HDCP; PC video up to SXGA
Signal interface	Input: VGA, RCA jack (composite), S-video, audio RCA jack Output: USB (mouse control), VGA pass through	Input: VGA, RCA jack (composite), S-video, audio RCA jack Output: USB (mouse control), VGA pass through, DVI-D, RS-232, 12-Vdc
Computer connectivity	UXGA, SXGA+, SXGA, XGA+, XGA, SVGA, VGA, Mac, Mac LC 13 in, Mac II 13 in, Mac 16 in, Mac 19 in, Mac G4, iMac DV	SXGA, XGA+, XGA, SVGA, VGA, Mac, Mac LC 13 in, Mac II 13 in, Mac 16 in, Mac 19 in, Mac G4, iMac DV
Resizing of images to full screen	Automatic	
Detection of computer signal input	Automatic	
Image synchronization	Automatic	
Remote control	Wireless remote controller with USB mouse function	
Mounting capability	Ceiling and tabletop, front and rear projection	
Dimensions (w x d x h)	11.6 × 10.7 × 4.4 in.	
What's in the box	HP vp6310 digital projector, 3-conductor 10 ft power cord, 1.8-meter USB cable, 1.8-meter VGA cable, wireless remote control with mouse function and batteries, multi-language User's Guide (CD-ROM), multi-language Quick Start Card, warranty card	HP vp6320 digital projector, 3-conductor 10 ft power cord, 1.8-meter USB cable, 1.8-meter VGA cable, wireless remote control with mouse function and batteries, multi-language User's Guide (CD-ROM), multi-language Quick Start Card, warranty card

Ordering information

HP product	Number
HP vp6310 digital projector, 1-year warranty, projector and lamp	L1686A
HP vp6310b digital projector, 2-year warranty, projector and lamp	L2314A
HP vp6310c digital projector, 3-year warranty, projector and lamp	L2315A
HP vp6320 digital projector, 1-year warranty, projector and lamp	L1687A
HP vp6320b digital projector, 2-year warranty, projector and lamp	L2317A
HP vp6320c digital projector, 3-year warranty, projector and lamp	L2318A
Accessories and supplies	
HP wireless IR remote control	L1586A
HP vp6300 series lamp module	L1695A
HP vp6300 series carrying case	L1696A
HP vp6300 series ceiling mount	L1703A
HP mobile 60-inch standard screen	L1633A
HP presenter 50-inch standard screen	L1617A
Cables	
HP VGA 1.8-meter cable	L1625A
HP S-video 1.8-meter cable	L1635A
HP S-video 20-ft cable	L1715A
HP audio mini-plug 1.8-meter cable	L1627A
HP SCART to composite/S-video adapter	L1717A
Service and support	
Web support	www.hp.com
Phone support	1-800 HP Invent (1-800-474-6836)

Environmental ranges	
Operating	Temperature: 50 to 95° F Humidity: 80% RH max, non-condensing Altitude: up to 10,000 ft
Storage	Temperature: -4 to 131° F Humidity: 80% RH max, non-condensing Altitude: up to 40,000 ft
Noise level	As low as 34 dBA in lamp-saving mode
Power	
Requirements	100 to 240 V at 50 to 60 Hz
Consumption	285 watts maximum
Certifications	
Safety	cULus, TUV-GS, CCC, EN60950, PSB, NOM, B-mark, GOST, FDA DHHS, SHOAN, EMI/EMC certifications, FCC Part 15 Class B, EN55022: 1998, EN55024: 1998, VCCI, MIC, C-Tick
Electromagnetic compatibility	FCC Part 15 Class B, EN55022:1998, EN55024:1998, VCCI, MIC, C-Tick
Warranty	1, 2, or 3-year warranty for projector and lamp based on product selected; 24-hour, 7-day HP phone, e-mail, and Web support

DLP is a trademark of Texas Instruments.

HP and the invent signature are trademarks of the Hewlett-Packard Company.

© 2005 Copyright Hewlett-Packard Development Company, L.P.

The information contained herein is subject to change without notice. The only warranties for HP products and services are set forth in the express warranty statements accompanying such products and services. Nothing herein should be construed as constituting an additional warranty. HP shall not be liable for technical or editorial errors or omissions contained herein.

For more information visit our website at www.hp.com

