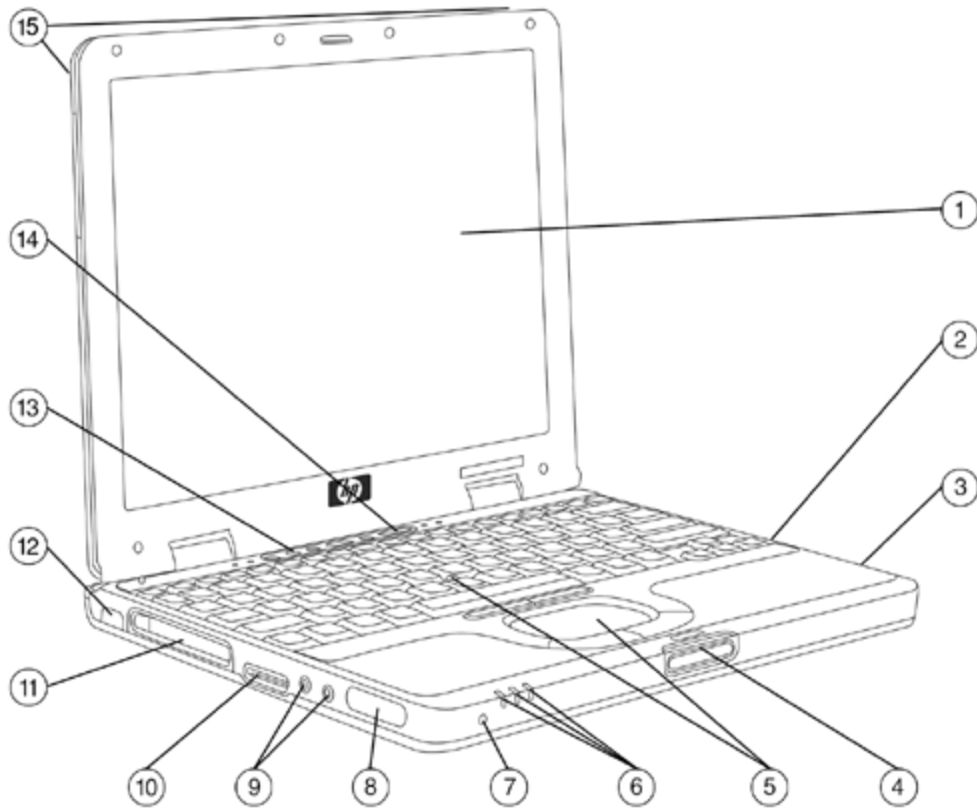
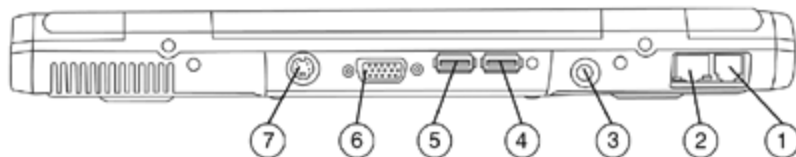


Overview



- | | |
|--|---------------------------------|
| 1. Display | 8. Speaker |
| 2. User Removable Hard Drive | 9. Headphone/Microphone Jacks |
| 3. Cable Lock Slot | 10. Secure Digital (SD) Slot |
| 4. Display Latch Release | 11. PC Card Slot |
| 5. Dual Pointing Devices (Pointstick/Touchpad) | 12. Infrared Port |
| 6. Wireless/Power/Charge LEDs | 13. Quick Launch Buttons |
| 7. Microphone | 14. Volume Down/Up/Mute Buttons |
| | 15. Integrated Dual Antenna |



- | | |
|--------------------------------------|----------------|
| 1. RJ-11 (Modem) | 5. USB |
| 2. RJ-45 (NIC) | 6. VGA Out |
| 3. DC In | 7. S-Video Out |
| 4. Powered USB for External Multibay | |

At A Glance

- Microsoft Windows XP Professional and limited localizations of Windows XP Home Edition preinstalled
- Intel® Pentium® M Processors and Intel® Celeron® M Processor
- 12.1-inch XGA TFT display
- 256-MB DDR SDRAM upgradeable to 1024 MB
- Up to 80-GB 5400rpm, user-removable hard drives
- Magnesium alloy display enclosure
- Protected by a three-year, Worldwide Limited Warranty – and in select countries a One-year Worldwide Limited Warranty. In both cases, certain restrictions and exclusions apply. Consult the HP Customer Support Center for details.

Overview

What's New

- Microsoft Windows XP Professional and limited localizations of Windows XP Home Edition preinstalled
- Intel Pentium M Processors
- ATI Radeon IGP 350M graphics with user selectable 32 or 64-MB DDR SDRAM
- Optional Integrated Smart Card Reader (replaces current PC card slot)
- HP ProtectTools Embedded Security – Support for TCG compliant TPM security module
- Optional integrated 802.11b (Intel), 802.11b/g (Intel) and 802.11a/b/g wireless LAN modules
- Optional integrated Bluetooth
- Integrated Secure Digital (SD) flash media slot
- Dual pointing devices
- Common Port Replicator and Advanced Port Replicator with Gigabit NIC pass-through
- Removed silver stripe around outer base and display

What's Special

- Ultra-light weight – 3.5 lb (1.59 kg)
- Full sized keyboard
- Support for up to two batteries
- Self powered external MultiBay, which provides a cost effective and travel friendly way to access MultiBay drives
- HP Mobile Printing driver makes on-the-go printing quick and easy

Standard Features

Processors

Intel Pentium M Processor 755 * – 2.0GHz, 2MB L2 cache, 400MHz Front Side Bus (FSB)

Intel Pentium M Processor 745 – 1.8GHz, 2MB L2 cache, 400MHz Front Side Bus (FSB)

Intel Pentium M Processor 735 – 1.7GHz, 2MB L2 cache, 400 MHz Front Side Bus (FSB)

Intel Pentium M Processor 725 – 1.6GHz, 2MB L2 cache, 400 MHz Front Side Bus (FSB)

Intel Pentium M Processor 715 – 1.5GHz, 2MB L2 cache, 400 MHz Front Side Bus (FSB)

Also available: 1.4, 1.5, 1.6, and 1.7GHz Intel Pentium M processor with 1 MB cache available and enhanced Intel SpeedStep technology

Intel Celeron M Processor 330 – 1.4GHz, 512KB L2 cache, 400 MHz Front Side Bus (FSB)

Intel Celeron M Processor 320 – 1.3GHz, 512KB L2 cache, 400 MHz Front Side Bus (FSB)

Chipset: ATI Radeon IGP 350M with 400 MHz processor side bus

NOTE: Intel Pentium-M Processors support enhanced Intel SpeedStep™ technology. Processor speed denotes maximum performance mode; processors will run at approximately 600-MHz in battery optimization mode.

* Intel's numbering is not a measurement of higher performance.

Operating System

One of the following

Microsoft Windows XP Professional

Microsoft Windows XP Home (limited localizations)

NOTE: Driver support available for Microsoft Windows 98 SE, Microsoft Windows 2000 and Microsoft Windows NT® 4.0.

Display

Internal

12.1-inch TFT XGA display with 1024 x 768 resolution up to 16.7 M colors

External

Up to 32-bit per pixel color depth

Supports 640 x 480, 800 x 600, 1024 x 768, 1280 x 768, 1280 x 1024, or 1600 x 1200 resolutions up to 100-Hz refresh rate, dependent upon monitor capability, and resolution and color depth settings

Memory

Standard

256-MB 266-MHz SDRAM DDR SDRAM (256-MB SODIMM in slot 1)

Maximum

1024-MB 266-MHz SDRAM DDR SDRAM (512-MB SODIMMs in slots 1 and 2)

NOTE: 256MB of DDR standard with 32MB of system memory shared as video memory.

NOTE: Shared video memory (UMA) uses part of the total system memory for video performance. For example, if there is 256MB of system memory, 32MB will be shared with the video graphics sub-system. The system will have 224MB of available system memory for other computing activities.

NOTE: Due to the non-industry standard nature of some third-party memory modules, we recommend HP branded memory to ensure compatibility.

Communications

10/100/1000 NIC is integrated on the system board

High speed 56K Modem with digital line guard is integrated on the system board

NOTE: Designed only to allow faster downloads from compliant sources. Maximum achievable download transmission rates currently do not reach 56 KB/s, and will vary with line conditions.

NOTE: Modem availability is subject to country regulatory approval.

Keyboard

The 101/102-key desktop compatible keyboard features full size keys, isolated inverted-T cursor control keys, 6 editing keys, both left and right control and alt keys, and 11 function keys. The US layout has 84 keys and the International layout 85 keys. Other features include 19 mm x 19 mm standard key pitch (center-to-center spacing), 2.5 mm key stroke, 2 Windows keys, comfort-dished keycaps, bright key legends for improved visibility in low light conditions, an integrated numeric keypad, and hotkeys providing instant access to power conservation, display brightness, and other controls.

Standard Features

Quick Launch Buttons The HP Compaq Business Notebook nc4010 has three Quick Launch buttons designed to provide one-touch access to commonly used features including QuickLock, Wireless on/off, and presentation mode.

Pointing Device Dual pointing devices (both Pointstick and Touchpad)

Optional Smart Card Reader Optional integrated Smart Card reader (replaces current PC Card slot)

Flash Media Slots One integrated Secure Digital (SD) slot

Storage

Diskette Drives	Optional Diskette Drive*
Hard Drives	80-GB 5400 rpm SMART 60-GB 5400 rpm SMART 40-GB 5400 rpm SMART
Optical Drives	24X/24X/24X/8X DVD/CD-RW combo Drive* 24X CD-RW Drive* 24X CD-ROM Drive* 8X DVD-ROM Drive* 2X DVD+RW Drive*
Flash Media Storage	One integrated Secure Digital (SD) slot

NOTE: * Requires optional external MultiBay or Advanced Port Replicator.

NOTE: The HP nc4010 hard drives are customer removable and will withstand multiple insertion/removal cycles.

Multimedia

- Premier Sound™ audio
- Integrated 16-bit Sound Blaster Pro-compatible audio
- Integrated mono speaker and microphone
- External volume controls
- Stereo Headphone-out
- Microphone in
- Software MPEG1 support
- DVD movie playback software
- DVD+RW*
- 8X DVD-ROM Drive with DVD movie playback*
- 24X DVD/CD-RW Combo Drive*
- 24X CD-ROM Drive*
- 4X AGP graphics

NOTE: * Requires optional external MultiBay or Advanced Port Replicator.

Standard Features

Interfaces	PC Card Slot	1 Type II
	External Monitor	1
	Microphone in	1
	DC Power	1
	RJ-11 (modem)	1
	RJ-45 (NIC)	1
	Infrared Port	1 (IrDA 4-MB compliant. IR performance will vary depending on performance of IR peripherals and application used.)
	S-video out connector	1
	USB version 2.0 Port	2
	Docking Connector	1
	Travel Battery Connector	1
	LED Status Indicators	7

Graphics ATI Radeon IGP 350M graphics controller with user selectable 32- or 64-MB DDR SDRAM 4X AGP
Hardware support for DirectX 7.0

NOTE: Shared video memory (UMA) uses part of the total system memory for video performance. For example, if there is 256MB of system memory, 32MB will be shared with the video graphics sub-system. The system will have 224MB of available system memory for other computing activities.

Audio HP Premier Sound 16-bit sound, Line out/headphone and microphone jacks

Software

Preloaded Software
Adobe Acrobat Reader 5.10
Altiris eXpress™ Client Win32
HP Management Agents
HP Quick Launch Button Software
HP Mobile Printing Driver
Intel SpeedStep Technology Applet (Windows 2000 only, built into Windows XP)
HP Help and Support (XP Only)
Synaptics Touchpad Driver
interVideo WinDVD DVD Player* (for optional DVD and DVD/CDRW drives) Roxio Easy CD Creator* (for optional CDRW and DVD/CDRW drives)
interVideo WinDVD Creator* (for optional DVD+RW drive)

NOTE: *For optional CD-RW and DVD/CD-RW drives which are supported in the optional External MultiBay or Advanced Port Replicator.

System Recovery Each unit is shipped with a recovery CD kit containing Operating System Recovery and Driver/Application Recovery CDs. These CDs allow users to either recover or repair the notebook operating system and select drivers without losing personal data. The Operating System CD also provides the option of reinstalling the operating system software provided with the notebook.

(NOTE: This option erases the hard disk and restores the base operating system. Drivers and applications are installed using the other CDs provided with the kit.)

Intelligent Manageability In December 2003, Insight Manager was replaced by HP Systems Insight Manager Software (SIM). HP SIM will use WMI to retrieve client system information. A HP SIM connector will be available for the HP Client Manager Software beginning in 2Q/2004. For more information on HP SIM, please refer to the HP website at <http://www.hp.com/go/hpsim/>.

Standard Features

Security

The HP nc4010 supports a range of standard, as well as optional, security features including the optional Embedded Security chip and Optional integrated Smart Card reader.

Standard Security Features Configuration Control Hardware
Memory Change Alert
Ownership Tag
Setup Password
Power-On Password
DriveLock
Enabled for PC SmartCard options
Kensington Lock Slot

Optional Security Features

Embedded Security Chip

Designed to the Trusted Computing Group (TCG) standard
Microsoft Crypto API and PKCS#11 software interface support
RSA Secured Partner program certification

Integrated Smart Card reader

Compatible with ISO 7816 compliant Smart Cards
PC/SC interface support

For more information on HP security solutions refer to <http://www.hp.com/go/security>.

Power Supply

External 65 watt AC adapter, 6-foot (1.8-meter) power cord included.
Total length including External AC adapter is 12 ft (3.66 m).

Battery

The HP Compaq Business Notebook nc4010 6-cell internal main Lithium-Ion battery (one year warranty) provides up to 3 ½ hours of battery life; up to 7 ½ hours can be achieved using the optional travel battery.

Battery Re-Charge Time	System in OFF mode or Standby	2 hours
	System ON (depending on system power consumption)	2-5 hours

Quick Specs disclaimer:

NOTE: Actual results may vary with product model, configuration, and individual usage. Hewlett-Packard testing of a HP Compaq nc4010 with an Intel Pentium M 1.4GHz CPU, Windows XP Pro, 12.1-inch XGA LCD, 512-MB RAM, 40-GB HDD, 11.1V Lithium-Ion battery, and NIC/modem, achieved an overall **MobileMark 2002** score of 3h 12m (6h 21m with dual battery). BAPCO, MobileMark, and SYSmark are trademarks of Business Applications Performance Corporation. System parameters followed test recommendations: panel brightness set to half, but no less than 60 nits, power management scheme - Laptop/Portable, hard drive timer set to 3 minutes, standby and video timers set to never. Wireless turned off.

Quick Specs disclaimer:

NOTE: Actual results may vary with product model, configuration, and individual usage. Hewlett-Packard testing of a nc4010 with an Intel Pentium M 1.4 GHz CPU, Windows XP Pro, 12.1-inch XGA LCD, 512-MB RAM, 60-GB HDD, Lithium-Ion battery, and NIC/modem, achieved an overall **Business Winstone 2002 BatteryMark** score of 3h 52m Business Winstone® 2002 BatteryMark™ Version 1.0 units. Winstone® is a registered trademark and BatteryMark™ is a trademark of Ziff Davis Publishing Holdings Inc. in the U.S. and other countries. Copyright 2002 Ziff Davis Media Inc. All Rights Reserved. System parameters followed test recommendations: panel brightness 50%, wireless off, power management scheme - Laptop/Portable, hard drive, standby and video timers set to never.

Power Conservation

Supports enhanced Intel SpeedStep Technology (allows a Battery Optimized Mode, Maximum Performance Mode, or Automatic mode)
Hibernation
Instant-on via Standby
ACPI compliant

MultiBay Devices

MultiBay devices may be swapped with the system powered on (hot) under Microsoft Windows XP Professional or Windows 2000 (except MultiBay Zip drive or MultiBay secondary hard drive).

NOTE: MultiBay devices can only be utilized with the optional External MultiBay or Advanced Port Replicator.

Standard Features

Wireless Devices

The HP nc4010 notebook supports a broad range of secure, integrated wireless LAN options featuring support for the latest industry standards. Integrated Bluetooth is also an option and can be combined with any one of the supported wireless LAN options.

All integrated wireless LAN options	Wi-Fi certified Cisco Compatible Extensions support Wired Equivalent Privacy (WEP) support up to 128bit keys Wi-Fi Protected Access (WPA) support 802.1x standards support including EAP-TLS, Protected EAP (PEAP) and Cisco-EAP (LEAP) Dual antennas integrated in the display enclosure
HP W500 802.11a/b/g	Integrated support for 802.11a, b and g Up to 54mbps throughput performance Advanced Encryption Standard (AES) support
HP W400 802.11b/g	Integrated support for 802.11b and g Up to 54mbps throughput performance Advanced Encryption Standard (AES) support
Intel PRO 2100/Wireless 802.11b wireless LAN	Integrated support for 802.11b Up to 11mbps throughput performance
Intel PRO 2200/Wireless 802.11 b/g wireless LAN	Intel® Centrino™ mobile technology Integrated support for 802.11b and g Up to 11mbps throughput performance
Integrated Bluetooth	Designed to the Bluetooth v1.1 specification

Docking

Port Replicator and Advanced Port Replicator. HP's common port replicator and advanced port replicator provide simple and convenient port management. Features include Gigabit NIC pass through, DVI, USB, and 1394 port. These docking solutions are compatible across multiple Business Notebook platforms enabling a lower total cost of ownership.

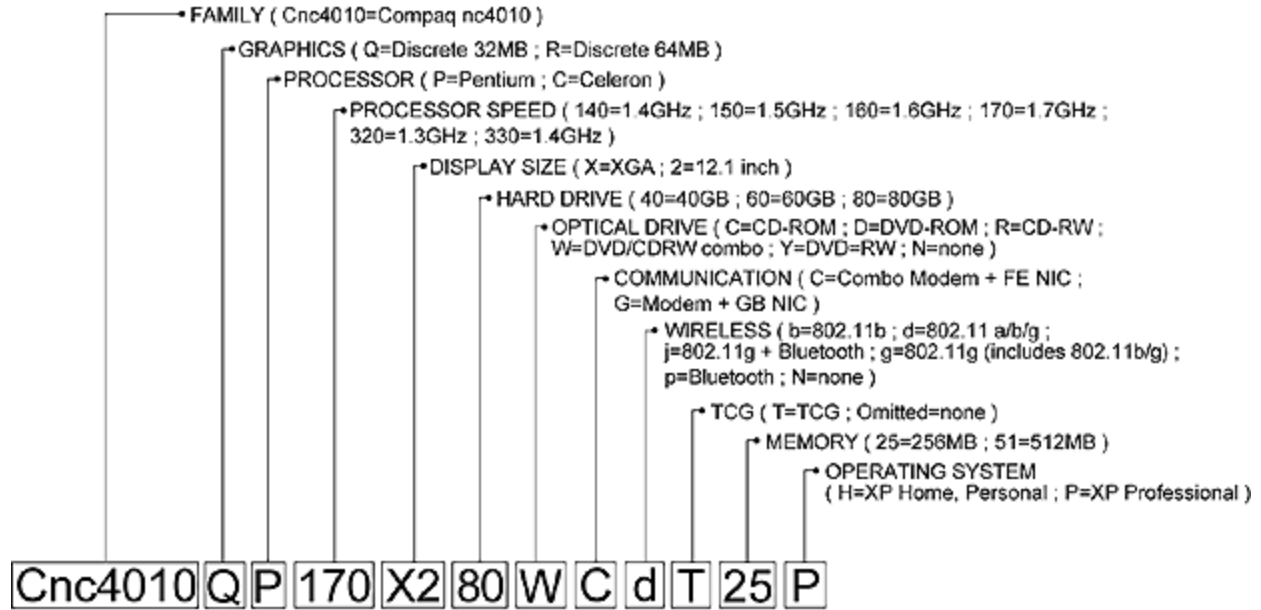
Service and Support

HP Services includes a Three-year and in select countries a One-year, Worldwide Limited Warranty, pick-up or carry-in and toll-free 7 x 24 hardware technical phone support (one-year warranty on battery), on-site service or a One-year warranty are also available.

NOTE: Certain restrictions and exclusions apply. Consult the HP Customer Support Center for details.
<http://h20000.www2.hp.com/bizsupport/TechSupport/ProductRoot.jsp>.

Standard Features

The Etymology of a Model name:



Models

Global Wireless

Cnc4010UP170X240NGiT51P
PF672AA#XXX

Processor	1.7-GHz Intel Pentium-M processor with 400-MHz Front Side Bus
Operating System	Microsoft Windows XP Professional
Display	12.1-inch color TFT XGA with 1024 x 768 resolution (up to 16.7M colors internal)
Cache Memory	2048-KB L2 cache
Memory	Standard 512-MB 266-MHz DDR SDRAM (512-MB SODIMM in slot 1) Maximum 1-GB 266-MHz DDR SDRAM (512-MB SODIMM in slots 1 and 2)
Hard Drive	40-GB 5400 rpm SMART Hard Drive
Video Memory	32 MB standard w/256MB or more main memory, configurable up to 64MB
Optical Drive	With optional External MultiBay or Advanced Port Replicator
Graphics	ATI Radeon IGP 350M graphics controller with user selectable 32- or 64-MB DDR SDRAM Hardware support for DirectX 7.0 4X AGP
Audio	HP Premier Sound 16-bit sound, Line out/headphone and microphone jacks
Communications	High speed 56K Modem, Integrated 10/100/1000 NIC
Integrated Wireless	Intel Pro/Wireless 2200BG 802.11b/g WLAN Bluetooth
Embedded Security Chip	Yes
Integrated Smart Card Reader	No
Pointing Device	Dual pointing devices (both Pointstick and Touchpad)
Battery	6-cell Lithium-Ion battery Dual battery capability with optional travel battery External 65W adapter
Warranty	3/3/0

Standard Features

Global
Cnc4010UP160X240NGN51P
PF673AA#XXX

Processor	1.6-GHz Intel Pentium-M processor with 400-MHz Front Side Bus
Operating System	Microsoft Windows XP Professional
Display	12.1-inch color TFT XGA with 1024 x 768 resolution (up to 16.7M colors internal)
Cache Memory	2048-KB L2 cache
Memory	Standard 512-MB 266-MHz DDR SDRAM (512-MB SODIMM in slot 1) Maximum 1-GB 266-MHz DDR SDRAM (512-MB SODIMM in slots 1 and 2)
Hard Drive	40-GB 5400 rpm SMART Hard Drive
Video Memory	32 MB standard w/256MB or more main memory, configurable up to 64MB
Optical Drive	With optional External MultiBay or Advanced Port Replicator
Graphics	ATI Radeon IGP 350M graphics controller with user selectable 32- or 64-MB DDR SDRAM Hardware support for DirectX 7.0 4X AGP
Audio	HP Premier Sound 16-bit sound, Line out/headphone and microphone jacks
Communications	High speed 56K Modem, Integrated 10/100/1000 NIC
Integrated Wireless	No
Embedded Security Chip	No
Integrated Smart Card Reader	No
Pointing Device	Dual pointing devices (both Pointstick and Touchpad)
Battery	6-cell Lithium-Ion battery Dual battery capability with optional travel battery External 65W adapter
Warranty	3/3/0

Options

Memory	512-MB 333-MHz DDR Memory Upgrade	DC390B
	256-MB 333-MHz DDR Memory Upgrade	DC389B
MultiBay Hard Drives	80-GB 5400 rpm SMART Hard Drive	DC920A
	60-GB 5400 rpm SMART Hard Drive	DC894A
	40-GB 4200 rpm SMART Hard Drive	DC365A
MultiBay Storage Devices	DVD+RW Drive	DG189A
	24X Combo DVD/CD-RW	DC364A
	8X DVD Drive	DC352A
	Diskette Drive	DC362A
Other Storage Devices	USB Diskette Drive	DC361B
	40-GB USB External Hard Drive	DQ549A
	HP USB Digital drive with 128MB SD Memory	DL702A
Expansion Bases	Basic Port Replicator	DC367B#XXX
	Advanced Port Replicator	DC366B#XXX
	External MultiBay	DC373A#XXX
	Monitor Stand	DC377A
Power	Battery Kit with Travel Adapter	DD880A
Communication	W500 WLAN 802.11a/b/g kit	DR469A#ABA
	W500 WLAN 802.11a/b/g kit for GR/SP/BLG/SW	PA426A#ABA
Common Power Solutions	External Single Battery Charger	DF933A#XXX
	AC Adapter 65W	DC359A#XXX
	90W Aircraft Power Cables	DC899A
	AC Line Cord (10 ft/3.1 m)	DC851B
Input Devices	HP 2 Button Optical Mouse (carbon)	DC369A
	HP Travel Optical Mouse	F2100A
	External 10-Key Numeric Keypad (carbon)	DC854A
Security	Security Cable Lock	DC368A
	HP Smart Card PC Card Reader	DC350B
Carrying Cases	HP Entry Value Case	DL617A
	Top Load Leather	DC917A
	Executive Nylon	DC916A
	HP Sport Backpack	DG102A
	HP Value Case	DE642A

Memory

HP Compaq nc4010 Ultraportable Business Notebook

Standard Memory Plus Optional Memory

Support for up to 1024 MB of DDR SDRAM memory is available with the installation of optional DDR SDRAM Memory Kits.

0-MB of memory on system board

2 Slots total

1-256-MB DIMM installed in Slot 1

1-Additional open Memory Slot

Memory	Slot 1	Slot 2
	256 MB	Empty

Standard Memory with Optional Memory Upgrades

Support for up to 1024-MB of SDRAM is available with the installation of optional SDRAM Memory Upgrades.

Up to	Slot 1	Slot 2
512 MB	512 MB	Empty
512 MB	256 MB	256 MB
768 MB	256 MB	512 MB
1024 MB	512 MB	512 MB

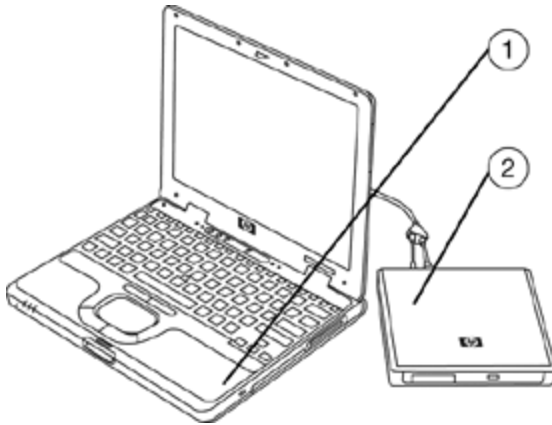
NOTE: This chart does not represent all possible memory configurations. Due to the non industry standard nature of some third-party memory modules, we strongly recommend using only HP branded memory modules to ensure compatibility.

Following are memory options available from HP:

	Compaq PN	HP PN
512-MB 333-MHz DDR Memory Upgrade	269087-B25	DC390B
256-MB 333-MHz DDR Memory Upgrade	269086-B25	DC389B

NOTE: Due to the non-industry standard nature of some third-party memory modules, we strongly recommend using only HP branded memory modules to ensure compatibility.

Storage



1. Hard Drive
2. Optional External MultiBay

Drive Support

System Drive Support

Hard Drives

80-GB 5400 rpm SMART Hard Drive	Up to 1	Hard Drive Bay
60-GB 5400 rpm SMART Hard Drive	Up to 1	Hard Drive Bay
40-GB 5400 rpm SMART Hard Drive	Up to 1	Hard Drive Bay

External MultiBay Drive Support

Removable Media	Quantity Supported	Drive Bay Supported
CD-RW Drive	Up to 1	External MultiBay
CD-ROM Drive	Up to 1	External MultiBay
DVD-ROM Drive	Up to 1	External MultiBay
DVD/CD-RW Combo Drive	Up to 1	External MultiBay
DVD+RW MultiBay	Up to 1	External MultiBay
1.44-MB Diskette Drive	Up to 1	External MultiBay
Secondary Hard Drives		
80-GB 5400 rpm SMART Hard Drive	Up to 1	External MultiBay
60-GB 5400 rpm SMART Hard Drive	Up to 1	External MultiBay
40-GB 5400 rpm SMART Hard Drive	Up to 1	External MultiBay

Technical Specifications

System Unit	Dimensions (HxWxD)	12.1-inch TFT panel display	1.1 x 11 x 9.2 in (2.79 x 27.94 x 23.37cm)
	Weight		3.5 lb (1.58 kg)
	NOTE: * Height varies depending upon where on the notebook the measurement is made. Weight varies by configuration and components.		
Stand-Alone Power Requirements	Nominal Operating Voltage (Li-Ion)		14.8 VDC
	Max Operating Power		40W
	Peak Operating Power		50W
Temperature	Operating		50° to 95° F (10° to 35° C)
	Non-operating		4° to 140° F (-20° to 60° C)
Relative Humidity	Operating		10% to 90% relative humidity, non-condensing
	Non-operating		5% to 90% relative humidity, 101.6° F (38.7° C) Maximum wetbulb temperature
Shock	Operating		50g, 2ms, half-sine
	Non-operating		175g, 2ms, half-sine
Vibration	Operating		0.5 G zero-to-peak, 10 to 500 Hz, 0.25 Oct/min sweep rate
	Non-operating		1.0 G, zero-to-peak, 10 to 500 Hz, 0.5 Oct/min sweep rate
Random Vibration	Operating		0.75 grms
	Non-operating		1.50 grms
Altitude	Operating		-50 to 10,000 ft (-15.24 to 3,048 m)
	Non-operating		-50 to 40,000 ft (-15.24 to 12,192 m)
Maximum Altitude (unpressurized)	Operating		0 to 10,000 ft (0 to 3,048 m)
	Non-operating		0 to 30,000 ft (0 to 9,144 m)
Industry Standard Certifications	Blue Angel		No
	Energy Star Compliant		Yes
	UL		Yes
	CSA		Yes
	VDE/TUV		Yes
	Nordic Safety		Yes
	Mexican Safety		Yes
	Poland Compliance		Yes

External AC Adapter	Weight	0.65 lb (0.29 kg) (adapter)	
		0.29 lb (0.13 kg) (power cord)	
Power Supply (Input)	Operating Voltage		90 to 264 VAC RMS
	Operating Current		1.6 A RMS
	Operating Frequency Range		47 to 63 Hz AC

Technical Specifications

Primary Lithium-Ion Battery Pack	Dimensions (H x W x L)	0.9 x 2.48 x 8.15 in (2.3 x 6.3 x 20.7 cm)		
	Weight	0.62 lb (.28 kg)		
	Cells/Type	6-cell Lithium-Ion		
	Energy	Voltage	11.1 V	
		Amp-hour capacity	3.96 Ah	
		Watt-hour capacity	40Wh	
	Temperature	Operating	41° to 113° F (5° to 45° C)	
		Non-operating	-4° to 140° F (-20° to 60° C)	
	Battery Re-Charge Time	System in OFF mode or Standby	2-3 hours	
		System ON (depending on system power consumption)	2-5 hours	

Lithium-Ion Travel Battery Pack	Dimensions (H x W x L)	0.9 x 2.48 x 8.15 in (2.3 x 6.3 x 20.7 cm)		
	Weight (includes caddy)	0.86 lb (0.39 kg)		
	Cells/Type	6-cell Lithium-Ion		
	Energy	Voltage	11.1 V	
		Amp-hour capacity	3.96 Ah	
		Watt-hour capacity	40Wh	
	Temperature	Operating	41° to 113° F (5° to 45° C)	
		Non-operating	-4° to 140° F (-20° to 60° C)	
	Battery Re-Charge Time	System in OFF mode or Standby	2-3 hours	
		System ON (depending on system power consumption)	2-5 hours	

12.1-Inch Color TFT XGA Display	Dimensions (H x W x L)	10.3 x 7.8 in (26.1 x 19.9 cm)		
	Diagonal Size	12.1 in (30.7 cm)		
	Mounting	Internal		
	Number of Colors	16 M		
	Contrast Ratio	125:1		
	Refresh Rate	60 Hz		
	Brightness	130 nit typical		
	Pixel Resolution	Pitch	0.264 x 0.264 mm	
		Format	1024 x 768	
		Configuration	RGB Stripe	
	Backlight	CCFT		
	Character Display	80 x 25		
	Total Power Consumption	4 W		
Viewing Angle	±35° degrees Horizontal, +15°/-35° Vertical (typical)			

Technical Specifications

Hard Drives

80-GB 5400 rpm	MultiBay Drive Adapter	Dimensions (H x W x D)	1.27 x 13.25 x 12.61 cm (0.5 x 5.21 x 4.97 in)
		Weight	0.15 lb (68 g)
	Drive Weight	0.22 lb (98 g)	
	Capacity	80 GB	
	Height	0.37 in (9.5 mm)	
	Width	2.75 in (70 mm)	
	Interface	ATA-6	
	Transfer Rate	Synchronous (maximum)	100 MB/s (Drive Capability)
	Seek Time (typical reads, including settling)	Single Track	3 ms
		Average	13 ms
		Maximum	24 ms
	Rotational Speed	5400 rpm	
	Logical Blocks	156,301,488	
Operating Temperature	41° to 131° F (5° to 55° C)		
Features	Security	ATA Security	
60-GB 5400 rpm	MultiBay Drive Adapter	Dimensions (H x W x D)	1.27 x 13.25 x 12.61 cm (0.5 x 5.21 x 4.97 in)
		Weight	0.15 lb (68 g)
	Drive Weight	0.22 lb (98 g)	
	Capacity	60 GB	
	Height	0.37 in (9.5 mm)	
	Width	2.75 in (70 mm)	
	Interface	ATA-5	
	Transfer Rate	Synchronous (maximum)	100 MB/s (Drive Capability)
	Seek Time (typical reads, including settling)	Single Track	3 ms
		Average	13 ms
		Maximum	24 ms
	Rotational Speed	5400 rpm	
	Logical Blocks	117,210,240	
Operating Temperature	41° to 131° F (5° to 55° C)		
Features	Security	ATA Security	

Technical Specifications

40-GB 5400 rpm	MultiBay Drive Adapter	Dimensions (H x W x D)	1.27 x 13.25 x 12.61 cm (0.5 x 5.21 x 4.97 in)
		Weight	0.15 lb (68 g)
	Drive Weight	0.22 lb (99 g)	
	Capacity	40 GB	
	Height	0.37 in (9.5 mm)	
	Width	2.75 in (70 mm)	
	Interface	ATA-5	
	Transfer Rate	Synchronous (maximum)	100 MB/s (Drive Capability)
	Seek Time	Single Track	3 ms
	(typical reads, including settling)	Average	13 ms
		Maximum	24 ms
	Rotational Speed	5400 rpm	
	Logical Blocks	78,140,160	
	Operating Temperature	41° to 131° F (5° to 55° C)	
Features	Security	ATA Security	

24X/24X/24X/8X DVD/CD- RW Combo Drive		Dimensions (H x W x D)	0.5 x 5.21 x 4.97 in (1.27 x 13.25 x 12.61 cm)
		Weight	0.74 lb (0.33 kg)
	Center Hole Diameter	39 cm	
	Disk Diameter	12 cm/8 cm	
	Disk Thickness	1.2 mm	
	Track Pitch	0.74 μ m	
	Access Times	Random CD	< 150 ms
	(typical reads, including settling)	Full-Stroke CD	< 225 ms
	Audio Output Level	Line-out	0.7 Vrms
	Cache Buffer	128 KB/s (minimum)	
	Data Transfer Rate	CD-R (24X)	3600 KB/s (150 KB/s at 1X CD rate)
	(typical, including settling)	CD-RW (24X)	3600 KB/s (150 KB/s at 1X CD rate)
		CD-ROM (24X)	3600 KB/s (150 KB/s at 1X CD rate)
		DVD (8X)	10,800 KB/s (1352 KB/s at 1X DVD rate)
		Normal PIO Mode 4 (single burst)	16.6 MB/s
	Start-up Time	< 15 seconds	
Stop Time	< 6 seconds		

Technical Specifications

24X CD-RW Drive	MultiBay Drive	Dimensions (H x W x D)	0.5 x 5.21 x 4.97 in (1.27 x 13.25 x 12.61 cm)
		Weight	0.74 lb (0.33 kg)
	Center Hole Diameter	1.5 cm	
	Disk Diameter	12 cm/8 cm	
	Disk Thickness	1.2 mm	
	Track Pitch	0.74 μ m	
	Access Times (typical reads, including settling)	Random CD	< 150 ms
		Full-Stroke CD	< 225 ms
	Audio Output Level	Line-out	0.7 Vrms
	Cache Buffer	128 KB/s (minimum)	
	Data Transfer Rate (typical, including settling)	CD-R (24X)	3600 KB/s
		CD-RW (24X)	3600 KB/s
		CD-ROM (24X)	3600 KB/s
		Normal PIO Mode 4 (single burst)	16.6 MB/s
	Start-up Time	< 15 seconds	
Stop Time	< 6 seconds		
24X CD-ROM Drive	MultiBay Drive	Dimensions (H x W x D)	0.5 x 5.21 x 4.97 in (1.27 x 13.25 x 12.61 cm)
		Weight	0.50 lb (0.22 kg)
	Applicable Disk	CD-ROM (Mode 1, 2 and 3), CD-XA ready (Mode 2, Form 1 and 2), CD-I ready (Mode 2, Form 1 and 2), CD-R (read only), CD Plus, Photo CD (Single and Multi-session), CD-Extra, Video CD, CD-WO (fixed packets only), CD-Bridge	
	Center Hole Diameter	15 mm	
	Disk Diameter	12 cm/8 cm	
	Disk Thickness	1.2 mm	
	Track Pitch	1.6 μ m	
	Access Times (typical reads, including settling)	Random	< 150 ms
		Full-Stroke	< 300 ms
	Audio Output Level	Line-out	0.7 Vrms
	Cache Buffer	128 KB	
	Data Transfer Rate (typical, including settling)	Sustained (16X)	2400 KB/s
		Variable	1500 to 3600 KB/s (10X to 24X)
		Normal PIO Mode 4 (single burst)	16.66 MB/s
	Start-up Time	< 8 seconds	
Stop Time	< 4 seconds		

Technical Specifications

8X DVD-ROM Drive	MultiBay Drive	Dimensions (H x W x D)	0.5 x 5.21 x 4.97 in (1.27 x 13.25 x 12.61 cm)
		Weight	0.66 lb (0.3 kg)
	Center Hole Diameter	1.5 cm	
	Disk Diameter	12 cm/8 cm	
	Disk Thickness	1.2 mm	
	Track Pitch	0.74 μ m	
	Access Times (typical reads, including settling)	Random (typical)	< 150 ms DVD Media
		Full-Stroke (typical)	< 225 ms DVD Media
		Random (typical)	< 110 ms CD Media
		Full-Stroke (typical)	< 200 ms CD Media
	Cache Buffer	512 KB/s (minimum)	
	Data Transfer Rate (typical, including settling)	Max 24X CD	3600 KB/s (150 KB/s at 1X CD rate)
		Max 8X DVD	10,800 KB/s (1352 KB/s at 1X DVD rate)
		Normal PIO Mode 4 (single burst)	16.6 MB/s
	Start-up Time	< 10 seconds	Single Session CD-ROM
	Stop Time	< 3 seconds	

DVD+RW Drive	Dimensions	0.5 x 5.46 x 5.23 in (1.35 x 13.88 x 13.28 cm)
	Weight	0.551 lb (250 g)
	Access Times	Random
		<175 ms CD
		<230 ms DVD
		Full Stroke
		<285 ms CD
		<335 ms DVD
	Max data transfer rate	24X – CD-ROM
		3,600 KB/s
		8X – DVD
		10,800 KB/s
		16X – CD-R
		2,400 KB/s
		8X – CD-RW
		1,200 KB/s
		4X – DVD+R
		5,400 KB/s
		2X – DVD+RW
		2,700 KB/s
	Transfer Mode	Multiword DMA Mode 2
	Interface	EIDE
	Supported Media (read)	CD-DA, CD+(E)G, CD-MIDI, CD-TEXT, CD-ROM, CD-ROM XA, MIXED MODE CD, CD-I, CD-I Bridge (Photo-CD, Video CD), Multisession CD (Photo-CD, CD-EXTRA, Portfolio, CD-R, CD-RW), CD-R, CD-RW, DVD-ROM (DVD-5, DVD-9, DVD-10, DVD-18), DVD-R, DVD-RW, DVD+R, DVD+RW
	Supported Media (write)	CD-R, CD-RW, DVD+R, DVD+RW
	Media Capacity (read)	4.7 GB
	Media Capacity (write)	4.7 GB
	Transport	Tray Loading

Technical Specifications

MultiBay Diskette Drive	MultiBay Drive	Dimensions (H x W x D)	0.5 x 5.21 x 4.97 in (1.27 x 13.25 x 12.61 cm)
		Weight	0.51 lb (230 g)
	Diskette Size	3.5 in	
	Height	12.7 mm	
	Bytes per Sector	512	
	Sectors per track	High density	18 (1.44 MB)/15 (1.2 MB)
		Low density	9
	Tracks per side	High density	80 (1.44 MB)/80 (1.2 MB)
		Low density	80
	Read/Write heads	2	
	Access Times	Track-to track (high/low)	3 ms/6 ms
		Average (high/low)	94 ms/174 ms
		Settling time	15 ms
Latency average		100 ms	

Audio

Hardware	Implementation	AC97 CODEC
	Audio Signal Link to CPU	Audio CODEC (AC) link
	Full Duplex	Yes
	Stereo Inputs	Line In – 20K Impedance (with Port Replicator only)
	Mono Inputs	Microphone – 20K Impedance
	Stereo Outputs	Headphone jack, S/PDIF from Port Replicator only

Audio Output Quality	Frequency Response	20 Hz – 20 kHz
	Signal to Noise Ratio	>94dB
	Total Harmonic Distortion	0.01%
	Noise Floor	-120dB
	Play/Record Sampling Rate(s)	7 kHz – 48 kHz
	AD/DA Resolution	16 bit

Mono Speaker	Amplifier Power	2-Watts RMS
	Speaker Impedance	4-Ohms

Technical Specifications

Integrated 10/100/1000 NIC	Ethernet Features	10 Mbit/s operation (10BASE-T; IEEE 802.3i; IEEE 802.3 clauses 13-14) 100 Mbit/s operation (100BASE-TX; IEEE 802.3u; IEEE 802.3 clauses 21-30) 1000 Mbit/s operation (1000BASE-T; IEEE 802.3z and 802.3ab; IEEE 802.3 clauses 34-42) Auto-Negotiation (Automatic Speed Selection) Full Duplex Operation at all Speeds, Half Duplex operation at 10 and 100 Mbit/s IEEE 802.1p QoS (Quality of Service) Support IEEE 802.3x Flow Control (IEEE 802.3 clauses 31-32; configurable)
	Power Management	ACPI 1.1a compliant – multiple power modes Situation-sensitive features reduce power consumption NIC Battery Saving Mode (enabled by default)
	Performance Features	TCP/IP/UDP Checksum Offload (configurable) Microsoft Large Send Offload (configurable) TCP Segmentation Offload CPU Task Offload Adaptive Interrupts
	Manageability	Wake-on-LAN from all Power-Managed States (configurable; Magic Packet and Microsoft Wake-Up Frame) PXE 2.0 Remote Boot Statistics Gathering (SNMP MIB II, Ethernet-like MIB, Ethernet MIB (802.3x, clause 30)) Comprehensive diagnostic and configuration software suite Cable Analyzer
	NIC Device Driver Name	Broadcom NetXtreme Gigabit Ethernet
	Drivers Available	Windows XP Windows 2000 Linux kernel versions 2.2 and 2.4

Technical Specifications

Agere Systems AC'97 Modem	Form Factor	MDC Daughtercard
	Power Management Support	APM Revision 1.2, ACPI
	Approvals/Certifications	UL, CSA, NEMKO, CCIB, Industry Canada, FCC Part 68, CTR21, FCC Part 15 Class B, Canadian ICES-003 Class B, C.I.S.P.R.22, Australian ACA, CE Mark, Other Countries
Data Mode Capabilities	Data Mode Capabilities	High speed 56K Modem (a-law, mu-law) V.8bis V.80 V.44, V.42bis, MNP5 (Compression) V.42 (LAPM, MNP2-4) (Error Correction) V.34 (file date: 10/96) Optional symbol rates: 2800, 3429 Asymmetric Symbol rates Synchronous primary channel data signaling rates: 3600, 31200 Automatic rate re-negotiation V.32bis V.32 V.23 V.22bis V.22 V.21 Bell 212A Bell 103J (300 bps)
	Fax Mode Capabilities	TIA-578-S (Class 1) T.30, T.4 (Group 3) V.17 V.29 V.27ter V.21 Channel 2
	Command Set	V.250 (Partial) TIA-602 Identification: +GMI, +GMM, +GMR Port control: +IPR, +ICF, +IFC, +ILRR Modulation: +MS, +MR, +MA Error control: +ES, +ER, +EB, +ESR, +ETBM Data compression: +DS, +DR V.251

Technical Specifications

Configuration Utility

Choice of Configuration Utility:

- Atheros Client Utility for Microsoft Windows 2000 or XP (required for Cisco Compatible Extensions support)
- Microsoft Windows XP Wireless Zero Configuration Utility

NOTE: May also be compatible with certain third-party software supplicants.

LED Activity

LED Off – Radio OFF; Solid LED – Radio ON

HP W500 802.11a/b/g WLAN

Wireless LAN Standards

IEEE 802 Part 11a (802.11a)
IEEE 802. Part 11b (802.11b)
IEEE 802. Part 11g (802.11g)

Interoperability

Wi-Fi certified (details available at <http://www.hp.com/go/notebooks/wlan>)

Frequency Band

2.4 and 5 GHz

Data Rates

802.11a: 6, 9, 12, 18, 24, 36, 48, 54 Mbps
802.11b: 1, 2, 5.5, 11 Mbps
802.11g: 6, 9, 12, 18, 24, 36, 48, 54 Mbps

Modulation

Direct Sequence Spread Spectrum
DBPSK, DQPSK, CCK, OFDM

Security

64- and 128-bit WEP encryption
Support for WiFi Protected Access (WPA) including TKIP, MIC
Hardware-accelerated support for the Advanced Encryption Standard (AES; 256-bit encryption)
Support for 802.1x authentication types: EAP-TLS, LEAP (Cisco), PEAP (Microsoft implementation); more details available at Support for Cisco Security Features (proven compatibility with Cisco Aironet infrastructure products through the Cisco Compatible Extensions Program).

Sub-channels

Multinational support with frequency bands and channels compliant to local regulations.

Media Access Protocol

CSMA/CA (Collision Avoidance) with ACK

Network Architecture Models

Ad-hoc (Peer to Peer)
Infrastructure (Access Point Required)

Roaming

IEEE 802.11 compliant roaming between 802.11a and 802.11b/g access points

Output Power

802.11b: 17 dBm (typical)
802.11a/g: 15 dBm (typical)

Power Consumption

Transmit: 2.0 W (max)
Receive: 1.5 W (max)
Sleep mode: 20 mW (max)

Power Management

ACPI compliant power management
802.11 Compliant Power Saving Mode
Power Saving Mode selectable through the configuration utility

Receiver Sensitivity₁

54 Mbps: -70 dBm to 1 Mbps: -90 dbm

Antenna type

High efficiency dual band antenna with polarization diversity, mounted in the display enclosure

Range

802.11a - Typical	500 feet – Outdoors Open Area 150 feet – Indoor, Office-environment
802.11 b - Typical	1200 feet – Outdoor Open Area 300 feet – Indoor, Office environment
802.11 g - Typical	1000 feet – Outdoor Open Area 200 feet – Indoor, Office environment

Form Factor

MiniPCI Type IIIA

Weight

0.036 lb (16.5 gm)

Dimensions

0.19 x 2.00 x 2.35 in (4.8 x 50.95 x 59.75 mm)

Operating Voltage

3.3v

Temperature

Operating 32° to 122° F (0° to 50° C)

Technical Specifications

Humidity	Non-operating	-14° to 158° F (-10° to 70° C)
	Operating	10% to 90%
Altitude	Non-operating	5% to 95%
	Operating	0 to 15,000 ft (4,572 m)
Configuration Utility	Non-operating	0 to 40,000 ft (12,192 m)
	Choice of Configuration Utility:	
	<ul style="list-style-type: none">● Atheros Client Utility for Microsoft Windows 2000 or XP (required for Cisco Compatible Extensions support)● Microsoft Windows XP Wireless Zero Configuration Utility	
LED Activity	NOTE: May also be compatible with certain third-party software supplicants. LED Off – Radio OFF; Solid LED – Radio ON	

Technical Specifications

Intel PRO/Wireless 2100 802.11b WLAN	Wireless LAN Standards	IEEE 802. Part 11b (802.11b)	
	Interoperability	Wi-Fi certified	
	Frequency Band	2.4 GHz	
	Data Rates	802.11b: 1, 2, 5.5, 11 Mbps	
	Modulation	Direct Sequence Spread Spectrum DBPSK, DQPSK, CCK	
	Security	64- and 128-bit WEP encryption Support for WiFi Protected Access (WPA) including TKIP, MIC Support for 802.1x authentication types: EAP-TLS, LEAP (Cisco), PEAP (Microsoft implementation) Support for Cisco Security Features (proven compatibility with Cisco Aironet infrastructure products through the Cisco Compatible Extensions Program).	
	Sub-channels	Multinational support with frequency bands and channels compliant to local regulations.	
	Media Access Protocol	CSMA/CA (Collision Avoidance) with ACK	
	Network Architecture Models	Ad-hoc (Peer to Peer) Infrastructure (Access Point Required)	
	Roaming	IEEE 802.11 compliant roaming between 802.11b access points.	
	Output Power	16 dBm (typical)	
	Power Consumption	Transmit: 2.0 Watts (max) Receive: 1.75 Watts (max) Sleep mode: 200mW, nominal	
	Power Management	ACPI compliant power management 802.11 Compliant Power Saving Mode	
	Receiver Sensitivity¹	11 Mbps: -82 dBm to 1 Mbps: -89 dBm	
	Antenna type	High efficiency dual band antenna with polarization diversity, mounted in the display enclosure	
	Range	802.11 b - Typical	1200 feet – Outdoor Open Area 300 feet – Indoor, Office environment
	Form Factor	MiniPCI Type IIIB	
	Weight	0.026 lb (11.75 gm) (max)	
	Dimensions	0.20 x 1.75 x 2.34 in (4.9 x 44.6 x 59.8 mm)	
	Operating Voltage	3.3v	
	Temperature	Operating	32° to 158° F (0° to 70° C)
		Non-operating	-14° to 176° F (-40° to 80° C)
	Humidity	Operating	0% to 90% (non-condensing)
		Non-operating	5% to 95% (non-condensing)
	Altitude	Operating	0 to 10,000 ft (3,048 m)
		Non-operating	0 to 50,000 ft (15,240 m)
	Configuration Utility	Choice of Configuration Utility: <ul style="list-style-type: none"> ● Intel ProSet for Microsoft Windows 2000 or XP (required for Cisco Compatible Extensions support) ● Microsoft Windows XP Wireless Zero Configuration Utility 	
	LED Activity	LED Off – Radio OFF; Solid LED – Radio ON	

NOTE: May also be compatible with certain third-party software supplicants.

Technical Specifications

Intel PRO/Wireless 2200BG 802.11b/g WLAN	Wireless LAN Standards	IEEE 802.11b IEEE 802.11g
	Interoperability	Wi-Fi certified (details available at http://www.hp.com/go/notebooks/wlan)
	Frequency Band	2.4 GHz
	Data Rates	802.11b: 1, 2, 5.5, 11 Mbps 802.11g: 6, 9, 12, 18, 24, 36, 48, 54 Mbps
	Modulation	Direct Sequence Spread Spectrum DBPSK, DQPSK, CCK, OFDM
	Security	64 and 128 bit WEP encryption Support for WiFi Protected Access (WPA) including TKIP, MIC Support for 802.1x authentication types: EAP-TLS, LEAP (Cisco), PEAP (Microsoft implementation); more details available at http://www.hp.com/go/notebooks/wlan Support for Cisco Security Features (proven compatibility with Cisco Aironet infrastructure products through the Cisco Compatible Extensions Program).
	Sub-channels	Multinational support with frequency bands and channels compliant to local regulations.
	Media Access Protocol	CSMA/CA (Collision Avoidance) with ACK
	Network Architecture Models	Ad-hoc (Peer to Peer) Infrastructure (Access Point Required)
	Roaming	IEEE 802.11 compliant roaming between access points.
	Output Power	16 ± 2 dBm for CCK 11 +6/-1 dBm for OFDM (power varies by data rate) Maximum output power may vary by country according to local regulations
	Power Consumption	Transmit: 1.8 Watts (max) Receive: 1.0 Watts (max) Idle mode: 75mW, nominal
	Power Management	ACPI compliant power management 802.11 Compliant Power Saving Mode
	Receiver Sensitivity*	54 Mbps: -72 dBm, 11 Mbps: -84 dBm, 1 Mbps: -94 dBm
	Antenna type	High efficiency dual band antenna with polarization diversity, mounted in the display enclosure
	Range	Outdoor 1200 feet at 1 Mbps 250 feet at 54 Mbps Indoor 300 feet at 1 Mbps 50 feet at 54 Mbps
	Form Factor	MiniPCI Type IIIB
	Weight	0.026 lb (11.75 g) (max)
	Dimensions	0.20 x 1.75 x 2.34 in (4.9 x 44.6 x 59.8 mm)
	Operating Voltage	3.3v
	Temperature	Operating 32° to 158° F (0° to 70° C) Non-operating -40° to 176° F (-40° to 80° C)
	Humidity	Operating 0 to 90% (non-condensing) Non-operating 5 to 95% (non-condensing)
	Altitude	Operating 0 to 10,000 ft (3,048 m) Non-operating 0 to 50,000 ft (15,240 m)

Technical Specifications

Configuration Utility	Choice of Configuration Utility: <ul style="list-style-type: none"> ● Intel PROset for Microsoft Windows 2000 or XP (required for Cisco Compatible Extensions support) ● Microsoft Windows XP Wireless Zero Configuration Utility
LED Activity	LED Off – Radio OFF; Solid LED – Radio ON
Agency Approvals	Details at http://www.hp.com/go/notebooks/wlan
	*Receiver sensitivity is measured at a packet error rate of 8% for 802.11b (CKK modulation) and a packet error rate of 10% for 802.11a/g (OFDM modulation).

Bluetooth by HP

Form Factor	Integrated USB module
Bluetooth	1.1 Compliant
Dimensions	1.02 x 0.55 x 0.22 in (26 x 14 x 5.7 mm)
Temperature	Operating -4° to 158° F (-20° to 70° C) Non-operating -40° to 176° F (-40° to 80° C)
Humidity	Operating 10% to 90% Non operating 5% to 95%
Altitude	Operating 15,000 ft (4572 m) Non-operating 40,000 ft (12192 m)
Plug and Play	USB 1.1 compliant Microsoft Windows Plug and Play compliant
Frequency Band	2402 to 2480 MHz
Number of Available Channels	79 (1 MHz) available channels
Data Rates and throughput	1 Mbps Synchronous Connection Oriented links up to 3, 64 kbps, voice channels Asynchronous Connection Less links 723.2 kbps/57.6 kbps asymmetric or 433.9 kbps symmetric
Antenna type	Internally integrated within module
Range	33 ft (10 m)
OS Support	Microsoft Windows XP Professional and Home Microsoft Windows 2000
Software Stack Supported	User may choose: Microsoft User Interface (Profiles supported: HID, DUN, HCRP) Widcomm User Interface (see profile support below)
Profile Support	General Access Profile Service Discovery Application Profile Serial Port Profile Generic Object Exchange Profile File Transfer Profile Synchronization Profile Dial-Up Networking Profile LAN Access Profile Object Push Profile Hard Copy Cable Replacement Profile Personal Area Networking Profile Human Interface Device Profile
Usage Models	Service Discovery (determine what Bluetooth devices are within range and support authorization) Synchronization: PDAs to PCs Portable to Desktop

Technical Specifications

	File Transfer:
	File and directory browsing and navigation on another Bluetooth device. File copying Object manipulation – including add, delete, create new folders etc. Wireless link to Corporate LAN using several Bluetooth devices sharing the same
	Access Point:
	Corporate email, network neighborhood, access to LAN applications, file transfer, ftp, Internet browsing, etc, using TCP/IP Wireless link to WAN thru cell phone Agnostic to WAN technology Send/receive SMS messages Wireless link to Printer Adhoc peer to peer networking (two computers) or Personal Area Networking (PAN) using NDIS (< 7 computers) Adhoc Bluetooth Pico-networking (point to multi-point) Object Push – Business card or appointment exchange
	Human Interface Devices
	Wirelessly interface to notebook with mouse, keyboard, etc
	Printing
	Wirelessly print to Bluetooth enabled printers
Transmit Power	-6dBm to 4 dBm (Bluetooth Class II)
Receive Sensitivity	Better than -80 dBm at 0.1 % raw bit error rate
Link Topology	Point to Point, Multipoint Pico Nets up to 7 slaves
Security	Full support of Bluetooth Security Provisions
Network Architecture Models	Ad-hoc (Peer to Peer) Infrastructure (Access Points Required)
Power Requirement	Peak < 270 mW
Power Management	Microsoft Windows ACPI, and USB Bus Support Wireless EAB On/Off Software On/Off control Self configurable to optimize power conservation in all operating modes, including Standby, Hold, Park, and Sniff
Protocols Supported	TCP/IP IPX/SPX UDP
LED Activity	Solid Blue LED – On LED Off – Power Off
Certifications	All necessary regulatory approvals for countries we support including: FCC (47 CFR) Part 15C, Section 15.247 & 15.249 ETS 300 328, ETS 300 826 Low Voltage Directive IEC950 UL, CSA, and CE Mark

©Copyright 2004 Hewlett-Packard Development Company, L.P.

All rights reserved. Microsoft, Windows and Windows NT are registered trademarks or trademarks of Microsoft Corporation in the U.S. and/or other countries. Pentium, the Intel Inside Logo, and SpeedStep are registered trademarks or trademarks of Intel Corporation in the U.S. and/or other countries. Bluetooth is a trademark of Bluetooth SIG, Inc., in the U.S. and other countries. BatteryMark is a trademark of Ziff Davis Publishing Holdings Inc., and affiliate of eTesting Labs Inc., in the U.S. and other countries.

* Intel's numbering is not a measurement of higher performance. All other product names mentioned herein may be trademarks of their respective companies.

The information contained herein is subject to change without notice and is provided "as is" without warranty of any kind. The warranties for HP products are set forth in the express limited warranty statements accompanying such products. Nothing herein should be construed as constituting an additional warranty. HP shall not be liable for technical or editorial errors or omissions contained herein.